

**2012
IZOD INDYCAR® SERIES
RULE BOOK**

TABLE OF CONTENTS

PREFACE	1
Definitions	1
1. GENERAL	9
1.1 Governance	9
1.2 Safety	14
1.3 Emblem Display on Uniforms, Cars and Other Equipment	22
1.4 Advertising.....	22
1.5 Product Use.....	23
1.6 Event Personnel and Operations	24
2. MEMBERSHIP	30
2.1 General.....	30
2.2 Application.....	30
2.3 Term.....	31
2.4 Interim Review of Qualifications.....	32
2.5 Acknowledgement of Release and Assumption of Risk.....	32
2.6 Applicable Laws and Jurisdiction	32
2.7 Conduct Identification.....	33
2.8 Litigation	33
2.9 Categories	33
2.10 Age.....	33
2.11 Moral Fitness	34
2.12 Physical and Psychological Fitness.....	34
2.13 Medical Examinations and Treatment.....	35
2.14 Fitness to Participate	36
2.15 Substance Abuse.....	36
2.16 Alcoholic Beverages, Illegal Substances and Unauthorized Weapons.....	36

2.17	Substance Abuse Policy.....	36
2.18	Violation of Laws.....	37
2.19	Medical Records	37
2.20	Memberships, Licenses and Credentials	37
3.	SANCTIONS/GOVERNING	39
3.1	Promotion of Events.....	39
3.2	Event Promoter Responsibilities	39
3.3	Restrictions	39
4.	ENTRANT/DRIVER LICENSING AND FREQUENCY/CAR REGISTRATION.....	41
4.1	General.....	41
4.2	Entrant Licensing	42
4.3	Driver License.....	44
4.4	Radio & Wireless Frequency Registration	48
4.5	Car Registration.....	50
5.	ENTRIES.....	55
5.1	General.....	55
5.2	Fee.....	56
5.3	Deadline	57
5.4	Electronic Entries.....	57
5.5	Reopening of Entries.....	57
5.6	Failure to Participate	57
5.7	Entry Change	57
6.	TESTING.....	58
6.1	General.....	58
6.2	Approved Testing.....	58
6.3	INDYCAR Approved Venues.....	60
6.4	Testing Periods.....	61
6.5	Additional Testing Restrictions.....	62
7.	ON TRACK PROCEDURES.....	63
7.1	General.....	63
7.2	Flag Codes	67

7.3	Timing and Scoring	71
7.4	Pit Locations/Selection	74
7.5	Pit Equipment.....	76
7.6	Pit Personnel	77
7.7	Pit Access	77
7.8	Pit Procedures	77
7.9	Pit Penalties.....	78
7.10	Race Start	79
7.11	Race Restart	80
7.12	Hazardous Mechanical Conditions	83
7.13	Performance Standards	84
8.	QUALIFICATIONS	85
8.1	All Events	85
8.2	Oval Events.....	90
8.3	Road/Street Course Events.....	95
8.4	Indianapolis 500® Mile Race Event	99
9.	PENALTIES.....	112
9.1	General.....	112
9.2	Scope of Penalties	112
9.3	Additional Provisions and Guidelines.....	117
10.	CHAMPIONSHIPS, POINTS, AND POINT FUNDS	120
10.1	Championships and Point Standings	120
10.2	Significance of the Car Number	120
10.3	Crediting of Points	120
10.4	Ties	121
10.5	End of Season Points Fund	121
10.6	Points	122
11.	AWARDS.....	124
11.1	Approval	124
11.2	Awards	124
11.3	Withholding	126

12. PROTESTS	127
12.1 Submission of Protests	127
12.2 Protest	127
12.3 Informal Inquiry	127
12.4 Right to Protest and Time Limits	128
12.5 Jurisdiction.....	132
12.6 Advisory Committee	133
12.7 Hearing of the Protest	133
12.8 Conduct of the Protest Hearing	133
12.9 Unusual Circumstances	134
12.10 Determination of the Protest	134
12.11 Protest Procedure Final	134
12.12 Compliance with Procedure	135
13. APPEALS	136
13.1 Submission of Appeals.....	136
13.2 Appeals	136
13.3 Right to Appeal and Time Limits.....	136
13.4 Jurisdiction.....	137
13.5 Advisory Committee	137
13.6 Hearing of the Appeal	138
13.7 Conduct of the Appeal Hearing.....	138
13.8 Structure of the Appeal Hearing.....	139
13.9 Powers of the Appeal Official.....	140
13.10 Determination of the Appeal	140
13.11 Appeal Procedure Final.....	141
13.12 Compliance with Procedures.....	142
14. TECHNICAL SPECIFICATIONS.....	143
14.1 General.....	143
14.2 Technical Inspection	144
14.3 Car Weight and Driver Equivalency Weight.....	147
14.4 Chassis	148
14.5 Dimensions	154
14.6 Aerodynamics	154
14.7 Fuel System.....	165

14.8	Steering and Suspension	166
14.9	Dampers	166
14.10	Driveshafts / Hubs.....	167
14.11	Suspension Wheel/Wing Energy Management System (SWEMS)	168
14.12	Brakes	169
14.13	Wheels	169
14.14	Tires	170
14.15	Engine	174
14.16	Transmission / Differential	174
14.17	Airjack	175
14.18	Electronics	176
14.19	Fuel	179
14.20	Refueling.....	179
15.	ENGINE SPORTING REGULATIONS	182
15.1	General.....	182
15.2	Full-Season Mileage Limit.....	183
15.3	Engine Change-Out.....	184
15.4	Engine Repair.....	184
15.5	Approved Engine Change-Outs	185
15.6	Unapproved Engine Change-Outs.....	186
15.7	Down On Power Engines	187
15.8	Single Race Event Only Program.....	189
16.	PIT EQUIPMENT & GARAGES	191
16.1	Fuel Storage Tanks.....	191
16.2	Pit Lane Fire Equipment	197
16.3	Equipment.....	197
16.4	Garages	198

**2012
IZOD INDYCAR SERIES
RULE BOOK**

PREFACE

The Rules apply to the 2012 IZOD IndyCar Series Events. Each Member has been provided with or has been given access to a copy of the Rules, is deemed to have a full awareness and understanding of the Rules, and has agreed to abide by and be personally responsible for compliance with, the Rules. Further information may be obtained by contacting the INDYCAR offices at 4565 West 16th Street, Indianapolis, IN 46222, Telephone (317) 492-6526.

Definitions

Terms used in the Rules shall have the following meanings:

ACCUS-FIA - The Automobile Competition Committee of the United States (“ACCUS”) is the National Sporting Authority (“ASN”) of the Federation Internationale de l’Automobile (“FIA”) for the United States. ACCUS is comprised of the seven major motorsports sanctioning organizations (known by or within the FIA as “member clubs”): Grand Am, IMSA, INDYCAR, NASCAR, NHRA, SCCA and USAC. ACCUS is the liaison between the member clubs, other ASNs and the FIA. ACCUS prepares listings on the international calendar, issues international motorsport licenses to U.S. and foreign citizens living in the U.S., issues authorizations for foreign participation, and certifies and maintains U.S. and international records.

Approved Chassis Manufacturer – is Dallara, LLC. Any reference in the Rules to “Dallara” is referring to Dallara, LLC.

Approved Engine Change-Out – An Engine change that does not incur a penalty.

Approved Tire Manufacturer – is Bridgestone Americas Tire Operations, LLC. Any reference in the Rule to “Firestone” is referring to Bridgestone Americas Tire Operations.

Approved Transmission Manufacturer – is Xtrac, Inc. Any reference in the Rules to “Xtrac” is referring to Xtrac, Inc.

Associate – The firm(s), corporation(s) or other business association(s) named on an Associate’s membership application approved by INDYCAR, remaining in good standing, and uniquely identified by a tax identification number. Associate includes Associate and Associate’s officers, directors, members, owners, successors, assigns, agents, employees, representatives, and affiliates. Associate includes Manufacturers. Associate is responsible for Associate Group as defined in the membership application.

Car – A four-wheel automotive vehicle consisting of the combination of chassis, Engine, transmission and tires. The vehicle must be supplied by Manufacturers, approved by INDYCAR, and conform to the specifications, spirit, and illustrations in, and intent of, the Rules.

Competitor - A Driver, Entrant, crew member, Manufacturer or any other individual or entity who is a Member and participates competitively in an Event.

Day - is any time in a 24-hour period in which a member conducts any Testing.

Discretion - Refers to the exercise by Officials of their judgment in making a determination as to the application, construction and interpretation of the Rules and is required because of the need for decisions that depend upon immediacy without reflection and/or that are often subjective.

Driver - The individual named on a Driver's License and membership application approved by INDYCAR and issued by ACCUS-FIA (or another ASN, if applicable) and remaining in

good standing. Driver is responsible for Driver Group as defined in the license and membership application.

Engine - An engine supplied by the engine Manufacturers, approved by INDYCAR and conforming to the specifications.

Entrant - The firm(s), corporation, or other business association(s) named on an Entrant's License and membership application approved by INDYCAR and issued by ACCU-S-FIA, remaining in good standing, and uniquely identified by a tax identification number and Car number. Entrant includes Entrant and Entrant's officers, directors, members, owners, successors, assigns, agents, employees, representatives, and affiliates. Entrant is responsible for Entrant Participants and Entrant Group as defined in the license and membership application.

Entry - An Entrant's Car and Driver combination on an Entry form displaying the Entrant's Car number and approved by INDYCAR for participation in a designated Event.

Event – Any racing, promotional and/or entertainment or other activities associated with, sanctioned by and/or organized in cooperation with INDYCAR or occurring at the site of, contemporaneously with or reasonably connected to said activities in cooperation with INDYCAR. Event does not include any Firestone Indy Lights®, STAR Mazda Championship or USF2000 National Championship events, as those events are covered by separate Rules.

Event Agreement – The agreement in effect between INDYCAR and an Event Promoter regarding the conduct of a Race Event.

Event Promoter – The firm(s), corporation(s) or other business association(s) named on an Event Agreement with INDYCAR and responsible for designated operations of an Event. Event Promoter includes Event Promoter and Event Promoter's officers, directors, members, owners, successors, assigns, agents, employees, representatives, and affiliates.

Full Indy 500 Program – is comprised of two Engines, practice/qualifying and race. The tire allotment is 33 sets.

Full Season Entrant – An Entrant scheduled to participate in every Race Event.

Full Season Entrant Mileage Pool – 10,000 Engine miles as allotted for a Full Season Entrant.

Headings – The subject headings are included for purposes of convenience only, and shall not affect the construction or interpretation of any of the Rules.

INDYCAR – Indy Racing League, LLC d/b/a INDYCAR which owns and operates the IZOD IndyCar Series. “Indy Racing League”, “INDYCAR”, and “Leaders Circle” are registered trademarks with the United States Patent and Trademark Office and cannot be used without authority from INDYCAR or Brickyard Trademarks, Inc.

IZOD IndyCar Series - The IZOD IndyCar Series operated by INDYCAR. IndyCar Series (and design) are registered trademarks of Brickyard Trademarks, Inc., used with permission. IZOD is a registered trademark of PVH Corporation, used with permission. Any reference in the Rules to IZOD IndyCar Series may include INDYCAR and any reference to INDYCAR may include a reference to the IZOD IndyCar Series, if the context so requires.

Leaders Circle – The program whereby INDYCAR provides benefits including without limitation Team Enhancement Allocation Matrix (“TEAM”) award payments (Basic Award Money, Engine Manufacturer Bonuses, Race Bonuses, Indianapolis Qualifications Bonuses, and End of Season Bonuses) to Entrants and Entrant Participants in exchange for their participation in all of the Races. Entrants must submit an application and receive an acknowledgment of acceptance of such application from INDYCAR. Leaders Circle Members must remain in good standing. Leaders Circle designations may not be transferred, sold or otherwise assigned

without prior written permission by INDYCAR. INDYCAR may limit the number of Leaders Circle Members as it deems appropriate.

License - An authorization approved by INDYCAR and issued by ACCUS-FIA (or another ASN, if applicable) to an individual or entity to participate in an Event as a Driver, Entrant or Official.

Manufacturer – The firm(s), corporation(s) or other business association(s) named on an Associate’s membership application approved by INDYCAR, remaining in good standing, and uniquely identified by a tax identification number. Manufacturer includes the approved chassis, tire, engine, and transmission manufacturers and their officers, directors, members, owners, successors, assigns, agents, employees, representatives, and affiliates. Manufacturer is responsible for Manufacturer Participants and Manufacturer Group as defined in the membership application.

Member - An individual, firm, corporation or other business association completing an INDYCAR membership application, receiving an acknowledgment of acceptance of such application from INDYCAR, and remaining in good standing. Without limitation, each Competitor and Official must be a Member. Member is responsible for Member Group as defined in the membership application.

Non-Qualified Car – A Car not successfully completing qualifications. A Non-Qualified Car may be approved by INDYCAR to participate in a limited manner in a Race.

Officials - Any and all authorized INDYCAR officers, employees, agents, representatives, and subcontractors. Officials specifically referenced in the Rules include:

“CEO,” Randy Bernard

“Appeal Official,” Brian Barnhart

“Race Director,” Beaux Barfield

The CEO, Appeal Official and/or Race Director may replace any Official with another Official(s) at any time. The above-named Officials may delegate their authority in whole or in part to another Official(s) at any time.

Open Test – An Open Test is a Test organized by INDYCAR to which all Entrants are invited to participate.

Participant - Any individual or entity along with their officers, directors, members, owners, successors, assigns, agents, employees, representatives, and affiliates that are in any way associated or connected with Track premises, testing facilities or other INDYCAR approved locations or event including but not limited to facility owners, Event Promoters, municipalities, racing associations, sanctioning organizations, series organizers, Officials, workers, volunteers, Entrants, Car owners, Drivers, pit crew members, safety crew members, medical/rescue personnel, sponsors, manufacturers, suppliers, designers, advertisers, inspectors, construction contractors, engineers, architects, insurers, and all individuals in a restricted area.

Provisional Starter- An entrant who is granted permission to start a race based on previous championships, current points or other means as determined by IndyCar.

Qualified Car – A Car that successfully completes qualifications.

Race - The feature activity of an IZOD IndyCar Series race weekend.

Racing Surface - The area designated by the Race Director as eligible for use during competition. It may be formed by boundaries such as a wall or a line. It does not include grass or runoff areas.

Registration - The unique identity number assigned to a specific Car by Dallara.

Rules - This 2012 IZOD IndyCar Series Rule Book, including without limitation, sporting regulations, technical specifications, supplementary guidelines, and bulletins issued by Officials, whether containing Rules applicable only to a particular Event(s) or containing Rules of general applicability. The Rules are made available in both hard copy and electronic format. Because of the ability to alter the electronic format, the hard copy issued by INDYCAR controls as to any discrepancies. Notwithstanding the foregoing, Rules may be issued verbally in mandatory meetings such as drivers meetings held during Events.

Steward – is an individual designated by the Race Director to have specific authority by the Race Director to enforce the Rules.

Safety Car – The official safety car approved by INDYCAR, driven by an Official and used during on-track activities.

Short Indy 500 Program - comprised of one Engine for practice/qualifying/Race. The tire allotment is 26 sets.

Single Race Event Entrant – an Entrant scheduled to participate in a single Race Event.

Team – One or more Entrants under common ownership and/or control as determined by INDYCAR.

Test - is defined as any period during which a Member conducts any Testing.

Testing - is defined as the use of the approved chassis, Engine, transmission, and tires, separately or in any combination during a period other than a Race Event.

Track – The area including without limitation the Racing Surface, pit entrance lanes, pit lane, and pit exit lanes located between the outer and innermost retaining walls.

Unapproved Engine Change-Out - An Engine change subject to a penalty.

Use – This is defined as being propelled under power generated by the Engine.

1 GENERAL

1.1. Governance

1.1.1. General

1.1.1.1. The Rules govern the 2012 IZOD IndyCar Series Events and supersede all previous Rules, bulletins and supplementary Rules and regulations, except as otherwise indicated.

1.1.1.2. Each Member is personally responsible for the Member's compliance with the Rules.

1.1.1.3. Officials may penalize any Member and/or exclude any Member or equipment from any Event if Officials deem any act or any condition to be hazardous and/or not meeting the specifications, spirit, illustrations, and intent of, the Rules. Conditions that may warrant penalty and/or exclusion include without limitation any action which an Official deems to be a threat to the integrity of INDYCAR, the IZOD IndyCar Series and/or orderly conduct of the Event, and/or which relates to the design and construction of a Car or repairs to a damaged Car.

1.1.1.4. If the Rules do not expressly permit a variation, then the Member shall presume that such variation is not permitted. If a Member is uncertain if an act, part, etc. violates a Rule, the burden is on the Member to receive pre-approval in writing from INDYCAR. For this purpose, e-mails are not written approval. If not, the Member assumes the risk of noncompliance. Failure to gain an advantage by a Rule violation may not reduce or negate a penalty.

1.1.2. INDYCAR Authority

- 1.1.2.1.** The Rules shall be applied, constructed and interpreted by Officials, and the Officials, application, construction and interpretation shall be final and binding.
- 1.1.2.2.** Officials reserve the right to revise the Rules at any time, including without limitation during an Event. Notices, bulletins, supplementary Rules, regulations, and penalties are effective on the date and time issued, regardless of the date and time when a Member receives actual notice.
- 1.1.2.3.** Officials shall have the right to authorize and supervise Events of any kind; to create, interpret and enforce Rules and to render decisions concerning them; to grant, approve, refuse or withdraw Licenses, memberships, and sanctions; to assign and cancel dates for Events; to appoint and rescind the appointment of Officials; to impose and remove penalties for any violation of the Rules; to establish standards of eligibility for participation in Events; to establish Rules for its own procedure; and to do any and all things which, in its judgment, are consistent with the enhancement of the Events. INDYCAR also reserves the right to take whatever action and/or impose whatever penalty it deems necessary to maintain the integrity of INDYCAR, the IZOD IndyCar Series, and/or its Events.

1.1.3. Officiating

- 1.1.3.1.** INDYCAR will select Officials, as it deems appropriate.
- 1.1.3.2.** Officials shall have the authority to take any and all actions and make any and all determinations they deem necessary or appropriate during, or in

connection with, an Event including without limitation determinations as to whether a Rule violation has occurred and whether a penalty should be imposed.

1.1.3.3. INDYCAR shall have the right to determine whether or not to publish or cause to be published a notice stating that INDYCAR has penalized any Member and/or rendered a judgment on a protest or appeal. If published, the notice may include without limitation a description of the penalty or judgment and names of the affected Members. Having accepted the privileges and obligations of membership, the Members referenced in any such notice waive any and all rights of action against INDYCAR and/or against any individual publishing such notice. Officials may publicize the results referenced in such notice in the posting and awards or otherwise.

1.1.3.4. Officials will secure necessary timing and scoring and technical equipment and record all timing and scoring and technical information, including the standings of an Event; control the designated timing and scoring and technical areas; provide competition information to the Competitors, the Event Promoter, and the press; and facilitate the award distributions. Officials shall be the final authority on the content of the official posting of all Entry lists, practice sessions, qualifications results, Race finishes, point standings and award distributions.

1.1.3.5. Officials may order the completion, postponement or cancellation of an Event or any portion thereof in the case of inclement weather, physical condition of the Track, or for any other reason. Officials may terminate a Race before its scheduled number of laps or allotted time and in such case determine the Race results and disposition of the awards, and may terminate a Race after one or more

Cars have finished. Officials may reduce the scheduled number of laps, allotted time, or they may declare an Event completed, postponed or abandoned.

1.1.3.6. As soon as practical after the conclusion of an Event, Officials shall prepare a report giving the results of the Event and may identify protests lodged and any discipline administered. INDYCAR shall keep a record of Cars declared out of the Race and the reason therefor.

1.1.4. Acceptance of the Rules

1.1.4.1. Every Member who is involved in and/or participates in any way in any Event shall be deemed to have a full awareness and understanding of, and to accept, the Rules.

1.1.4.2. Every Member agrees to follow the direction of Officials with respect to the enforcement of these Rules or be subjected to penalties for failure to comply with such directions.

1.1.5. Assumption of Risk, Liability Release, Acknowledgment and Indemnity

1.1.5.1. ASSUMPTION OF RISK - EVERY MEMBER AGREES TO BE BOUND BY THE RULES AND ASSUMES ALL OF THE RISK OF SUCH MEMBER'S INVOLVEMENT AND/OR PARTICIPATION IN AN EVENT.

1.1.5.2. LIABILITY RELEASE - RECOGNIZING THAT AUTOMOBILE RACING CAN BE A HAZARDOUS UNDERTAKING, MEMBERS, FOR THEMSELVES, THEIR HEIRS, EXECUTORS, REPRESENTATIVES, SUCCESSORS AND ASSIGNS, AGREE, BY THEIR MEMBERSHIP, THAT THEY

RELEASE AND DISCHARGE INDYCAR, THE OFFICERS, DIRECTORS, EMPLOYEES, AGENTS, AFFILIATES, REPRESENTATIVES, OWNERS, SUCCESSORS AND ASSIGNS OF INDYCAR, AND OTHER MEMBERS, FROM ANY AND ALL LIABILITY FOR DAMAGES TO PROPERTY, PERSONAL INJURY, AND/OR DEATH, IN ANY WAY RELATING TO ANY EVENT OR THE MEMBERS' INVOLVEMENT AND/OR PARTICIPATION IN THE EVENT, REGARDLESS OF HOW THE CLAIM MIGHT ARISE INCLUDING WITHOUT LIMITATION RACE OFFICIATING, RULE INTERPRETATION AND VIOLATIONS, PHYSICAL CONDITION OF THE TRACK, AND/OR EMERGENCY TREATMENT OR RESCUE.

1.1.5.3. ACKNOWLEDGEMENT

1.1.5.3.1. MEMBERS RECOGNIZE THIS RELEASE APPLIES EVEN IF THE RELEASED PARTIES OR ANY OF THEM ACTED NEGLIGENTLY AND UNDERSTAND THAT MEMBERS MAY BE ASKED TO ACKNOWLEDGE THIS ASSUMPTION OF RISK AND RELEASE BY OTHER AGREEMENTS THEY MIGHT SIGN AS A PREREQUISITE TO PARTICIPATE IN AN EVENT OR EVENTS.

1.1.5.3.2. EACH MEMBER ACKNOWLEDGES THAT THE MEMBER HAS MADE THE MEMBER'S SPOUSE AND/OR DEPENDENTS AWARE OF THE MEMBER'S DECISION TO ASSUME AND INCUR THE RISK ASSOCIATED WITH RACING WITHOUT THE RIGHT TO PURSUE CLAIMS OF WRONGDOING.

1.1.5.4. INDEMNITY – EACH MEMBER ACKNOWLEDGES THAT MEMBER IS RESPONSIBLE FOR VIOLATION OF MEMBER'S AGREEMENTS BY MEMBER, MEMBER'S REPRESENTATIVES INCLUDING LOVED ONES AFFECTED BY MEMBER'S PARTICIPATION, AND MEMBER'S PARTICIPANTS AND GUESTS. THIS RESPONSIBILITY APPLIES TO ALL VIOLATIONS OF MEMBER'S AGREEMENTS WITH INDYCAR. THIS INCLUDES THE MISUSE OF CREDENTIALS AND THE FAILURE TO ACCEPT THE ASSUMPTION OF RISK, THE WAIVER AND RELEASE OF LIABILITY, THE BINDING NATURE OF THE RULES, INDYCAR'S INTREPRETION OF THE RULES, AND THE FINALITY OF THE APPEAL PROCEDURE. MEMBER UNDERSTANDS THAT THIS RESPONSIBILITY INCLUDES THE DUTY TO INDEMNIFY AND HOLD INDYCAR HARMLESS FROM THE CONSEQUENCES AND DAMAGES ARISING FROM THE VIOLATION.

1.2. Safety

1.2.1. Safety Policy - While INDYCAR seeks to maintain safe conditions for Competitors taking into account all aspects of the Event, Members recognize that conditions may not be safe and can be affected by human error. All Members acknowledge and agree that racing is a hazardous activity and their participation is with expressed assumption of this risk.

1.2.2. Safety

1.2.2.1. While acknowledging the inherent risk of racing to Competitors and other Members

participating in an Event, Members are personally responsible for the safety of their racing equipment and their own safety. No Event Promoter, INDYCAR or any Manufacturer is responsible for the adequacy of a Member's racing equipment or racing activity to accomplish this purpose. No Event Promoter, INDYCAR or any Manufacturer makes any representation, warranty or covenant that safety equipment and/or personnel will prevent or reduce the Member's risk or extent of injury in an Event.

1.2.2.2. Officials may take any action including canceling, postponing, temporarily stopping or delaying an Event, if Officials determine that safety requires such action. Officials may order off the Track any Member or Car that Officials determine constitutes a hazard. Officials may prohibit any Member or Member's equipment from entering or continuing in an Event if Officials consider the Member or Member's equipment to be reckless, hazardous or acting without due consideration to others. None of such decisions during an Event may be protested or appealed. In the event a Driver is ordered off the Track due solely to driving, the Entrant may replace the Driver with a qualified Driver approved by Officials and continue in the Event.

1.2.3. Security

1.2.3.1. Only authorized personnel are permitted on the Track and other locations designated by INDYCAR or an Event Promoter including without limitation spotter stands, corner worker stations, safety truck locations, photographer locations, and broadcast platforms.

1.2.3.2. INDYCAR and the Event Promoter have the right to engage in such searches of individuals and property at any Event facility as they deem necessary

or appropriate for security of the Event. If they deem necessary, INDYCAR and the Event Promoter have the right to remove any individual and/or property from the Event facility.

1.2.3.3. INDYCAR may penalize any Entrant, Associate or other Member whose representative or equipment enters a restricted area at an Event facility prior to the scheduled opening time or remains in a restricted area at an Event facility after the scheduled closing time without prior approval from INDYCAR and the Event Promoter.

1.2.3.4. Only Members possessing a valid driver's license may operate a motorized vehicle in a restricted area during an Event. Only INDYCAR-approved vehicles are permitted in the pit area. INDYCAR and/or an Event Promoter may have additional or different requirements for a particular Event, and INDYCAR may modify the foregoing Rule accordingly.

1.2.3.5. Members must not operate or permit another individual to operate a motorized or non-motorized vehicle at the Event facility recklessly or without due consideration to Members, spectators or others.

1.2.3.6. Smoking is not permitted on the Track, in the pit area, or in any fuel service area. INDYCAR and/or an Event Promoter may have additional or different requirements for a particular Event, and INDYCAR may modify the foregoing Rule to the extent permitted or required by law.

1.2.4. Medical/Rescue Requirements and Injury Reports

1.2.4.1. Officials may require the Event Promoter to use, in compliance with local regulations and/or ASN requirements, medical/rescue personnel and

equipment acceptable to INDYCAR to provide Members with assessment and treatment of emergency medical conditions including breathing difficulty, spinal injury, cardiopulmonary arrest, and external bleeding.

1.2.4.2. A Driver may be required to demonstrate ability to exit the Car to Officials' satisfaction by a method to be determined by INDYCAR.

1.2.4.3. A Driver involved in a crash or injured in another incident during an Event must report as directed by Officials and may not continue in the Event nor participate in future Events without clearance from Officials.

1.2.4.4. Any other Member involved in a crash or injured in another incident during an Event must report to the medical center or as directed by Officials before departing the Event facility prior to the conclusion of an Event.

1.2.5. Biomedical Research and Device Testing Policy–
All Members must comply with INDYCAR's Biomedical Research and Device Testing Policy available from the INDYCAR office.

1.2.6. Data Sharing Policy - All Members agree:

1.2.6.1. INDYCAR owns all data collected by or on behalf of INDYCAR including without limitation all data from broadcast telemetry, in-car cameras, impact recorders and earpieces.

1.2.6.2. INDYCAR may disclose the data to third parties for any reasonable purpose including without limitation safety and/or medical research.

1.2.6.3. If an individual desires to receive any such data from INDYCAR, the individual shall submit a request in writing to the Race Director.

1.2.6.3.1. The written request shall specify the data requested and the proposed use of the data.

1.2.6.3.2. INDYCAR shall determine whether to provide the data, taking into account such factors as the nature of the data requested, the uses for which the individual requests the data and whether or not consent and/or approval of any other individual is required or appropriate in order to release the data.

1.2.6.3.3. The individual will be required to execute an agreement regarding approved uses for the data and the confidential treatment of any data that INDYCAR approves for use by the individual.

1.2.6.4. Notwithstanding the foregoing, an Entrant may record its own pit stop activities from its own pit area during Events for use only by such Entrant for internal evaluation of its own pit stop procedures. All other activities and/or uses require prior INDYCAR written approval.

1.2.7. Safety Inspections - Officials may inspect all equipment prior to each Event and re-inspect equipment at any time. An Entrant may be required to replace seats, seat belts, helmets, headrests, head restraint systems and other equipment at any time.

1.2.8. Personal Safety Equipment

1.2.8.1. Drivers - All Drivers must wear:

- a) Fire resistant one piece uniform conforming to SFI 3.2A/5 specification;

- b) Fire resistant socks;
- c) Fire resistant shoes;
- d) Fire resistant gloves;
- e) Nomex underwear long sleeve tops and full length bottoms;
- f) Fire resistant head sock.

1.2.8.1.1. All removable dental appliances, chewing gum, rings, watches and other jewelry and comparable items must be removed before a Driver participates in an on Track Event.

1.2.8.1.2. Helmets

1.2.8.1.2.1. All Drivers must wear safety helmets designed specifically for automobile racing that meet or exceed the 2010 Snell Foundation specifications SA or SFI 31.1 certifications and are labeled as such. FIA 8860 is approved for use. Helmets must be spherical in shape and be fitted with a face shield that has an INDYCAR-approved positive latching mechanism designed to keep the shield down in the event of a crash. Aerodynamic devices must not protrude more than 0.250 inches from the surface outside of the shaded area shown below. Inside the shaded area a .0500 inch high device is allowed. Flat back designs are not permitted. All helmets must be fitted with the approved removal system.



1.2.8.1.2.2. All helmets must be inspected and approved by Officials before use and are subject to confiscation and re-inspection by Officials at any time. Officials shall affix stickers to the helmets signifying approval for use. At any time, Officials may remove the approval stickers and require the helmets to be re-inspected and refurbished by an SFI certified helmet manufacturer before INDYCAR will consider them for re-approval. The helmet manufacturer must submit to INDYCAR documentation stating the refurbished helmet is approved by SFI for use in competition.

1.2.8.1.4. Head Restraint Systems

1.2.8.1.4.1. INDYCAR requires the use of head restraint systems. Head restraint systems must meet or exceed SFI 38.1 certifications and be approved by INDYCAR.

1.2.8.1.4.2. Officials shall issue a serial number to each head restraint system. At any time, Officials may require the head restraint system to be re-inspected and refurbished by the SFI certified head restraint system manufacturer before INDYCAR will consider it for re-approval. The head restraint system manufacturer must submit to INDYCAR documentation stating that the head restraint system is approved by SFI for use in competition.

1.2.8.1.4.3. Ear Pieces – All Drivers must wear INDYCAR-supplied instrumented earpieces. Earpieces must be presented to Officials for testing before each Event and upon request. Repair and/or replacement of the earpieces may be the Driver's expense.

1.2.8.2. Crew Members and Other Competitors Participating in a Pit Stop

1.2.8.2.1. All crew members and other Competitors participating in a pit stop shall wear:

- a) Fire resistant uniforms conforming to SFI 3.2 A/1 specifications;
- b) Fire resistant shoes;
- c) Fire resistant gloves;
- d) Nomex underwear long sleeve tops and full length bottoms;
- e) Fire resistant head sock (fuelers only);
- f) Full-face helmet (fuelers only); and
- g) INDYCAR-approved helmet (over-the-wall Competitors only)

1.2.8.2.2. For purposes of this Rule, a Competitor shall be considered participating in a pit stop if the Competitor is:

- a) Working over the pit wall; or
- b) Actively participating in the pit stop from behind the pit wall.

1.2.8.3. Crew Members, Other Competitors and Officials

1.2.8.3.1. Except as provided in Rules 1.2.8.1 all Competitors and Officials in the pit area must adhere to the following dress code:

- a) Long pants;
- b) Closed-toe shoes; and
- c) Shirts with sleeves (no tank tops).

1.2.8.3.2. This Rule does not apply to individuals in the pit area who are not Competitors or Officials or to any individuals in the garage area or non-restricted areas. INDYCAR and/or an Event Promoter may have additional or different requirements for a particular Event.

1.3. Emblem Display on Uniforms, Cars and Other Equipment – All Members agree to comply with the 2012 INDYCAR Style Guide available from INDYCAR.

1.4. Advertising

1.4.1. INDYCAR may regulate the advertising of any product on equipment, apparel or otherwise in connection with a Member, INDYCAR, the IZOD IndyCar Series or an Event.

1.4.2. Advertising may not be displayed until it has been approved by INDYCAR. INDYCAR may disapprove advertising for any reason, including but not limited to advertising which it determines is offensive, inappropriate, illegal, undignified, in conflict with any INDYCAR or Event Promoter sponsorship, potentially confusing or may detract from the interest in an Event and/or the integrity of INDYCAR and/or the IZOD IndyCar Series.

1.4.3. INDYCAR may require a Member to agree in writing with a policy statement regarding advertising of a particular product.

1.4.4. Product advertising must comply with all Rules including without limitation size.

1.5. Product Use

1.5.1. A Member shall not make a false public statement concerning any product used or said to have been used in an Event. An Entrant may be required to provide INDYCAR with an affidavit certifying product use. Display of an emblem on a Car or uniform does not constitute a statement concerning use.

1.5.2. INDYCAR may certify that a product was used at Events. A product manufacturer desiring to have INDYCAR certify that its product was used in an Event must follow the procedures outlined in this Rule 1.5.

1.5.3. To be eligible to receive certification of product use, the product manufacturer must agree in writing to the following:

1.5.3.1. The product manufacturer must agree to be bound by the Rules and must agree to be subject to penalty pursuant to the Rules.

1.5.3.2. Any product to be advertised as being used in an Event must be reported to INDYCAR in writing at least 30 days prior to the Event and approved for use by INDYCAR. The product advertised must be used during the Event, and its use must be checked and certified by INDYCAR.

1.5.3.3. Product manufacturers posting awards contingent on product use and the display of advertising during an Event must provide Officials

with a statement of the conditions at least 30 days prior to the Event. The product manufacturer shall provide Officials with proof of award distribution in accordance with these conditions within 30 days of certification by INDYCAR of the product use.

1.5.3.4. Any advertisement of products and the related use of these products during an Event must be consistent with the facts as determined by INDYCAR and must not be likely to deceive or mislead the general public.

1.5.3.5. INDYCAR may add requirements as it deems appropriate.

1.6. Event Personnel and Operations

1.6.1. General

1.6.1.1. An Entrant is not permitted to utilize a signboard without INDYCAR approval.

1.6.1.2. At all Oval Events, spotters are required. They must be in the designated location(s) and have a yellow condition pager and a radio capable of communicating with the Driver and an individual in the Entrant's pit.

1.6.1.3. An Entrant is not guaranteed a practice session or a minimum amount of green condition time during a practice session. Practice sessions may include all Cars or be divided into groups.

1.6.2. Meetings and Activities - INDYCAR may schedule mandatory meetings and/or activities for Members. The Race Director may require a meeting with Member(s) at any time. Each Member must attend all official meetings and other activities designated by INDYCAR as mandatory for that Member at the times and locations

designated by INDYCAR. These may include the following:

1.6.2.1. Driver Meetings

1.6.2.1.1. INDYCAR may conduct one or more meetings of Drivers to discuss general application, construction and interpretation of the Rules and any specific Rules applying to a particular Event.

1.6.2.1.2. Attendance at such meetings is limited to the Driver participating in the Event and any two of the following representatives for Entrant: owner, manager, chief mechanic, or spotter.

1.6.2.2. Team Manager Meetings - INDYCAR may conduct one or more meetings of team managers to discuss general application, construction, and interpretation of the operational or logistical Rules and any specific Rules applying to a particular Event.

1.6.2.3. Chief Mechanic Meetings - INDYCAR may conduct meetings of chief mechanics to discuss general application, construction, and interpretation of the technical Rules and any specific Rules applying to a particular Event.

Pre-Race Activities

1.6.2.4. Driver Autograph Sessions – INDYCAR may conduct autograph sessions of Drivers during each Open Test and Race weekend.

1.6.2.5. Driver Introductions – INDYCAR may conduct Driver introductions during each Race weekend.

1.6.2.6. At-Track - Driver agrees media and marketing activities during an Event are essential to a successful Event including without limitation:

1.6.2.6.1. Practice: Fastest of the Day post-practice media center appearance

1.6.2.6.2. Qualifications:

a) Pole qualifying media “bullpen” appearance.

b) Pole winner photograph obligations.

Immediately following qualifications, media center appearance:

c) Oval Events: the pole winner and outside front row starter.

d) Road Course/Street Course Events: the Drivers participating in Segment Three.

1.6.2.6.3. Pre-Race Ceremonies - In preparation for a Race, Drivers shall follow the instructions of Officials. Unless otherwise directed, the Drivers shall proceed to the Pre-Race stage and fully participate in Pre-Race ceremonies including without limitation any Driver introductions and/or Track laps.

Post-Race Activities

1.6.2.7. Upon completion of a Race, all Competitors shall follow the instructions of Officials. Unless otherwise directed, the top three finishers in the Race shall proceed to victory lane as instructed and fully participate in post-Race ceremonies including not removing, obscuring or otherwise altering any

sponsor recognition. Specifically at a minimum, this includes the following:

- 1.6.2.7.1.** The winning Driver must attend and participate in post-Race interviews in victory lane. The winning Driver and Car Owner of a Race agree to permit the display on the Car in victory lane, as designated by INDYCAR, one item from the series title sponsor and one item from the Car's sponsor as determined by INDYCAR, including size, location and placement of such item(s). The winning Entrant agrees to participate in a photograph with the Event sponsor(s) and guests.
- 1.6.2.7.2.** At the Indianapolis 500 Mile Race, the winning Driver must take the traditional drink of milk in victory lane.
- 1.6.2.7.3.** The 2nd through 5th place Drivers must stop in pit lane or such other area as designated by INDYCAR and participate in media interviews.
- 1.6.2.7.4.** The 2nd and 3rd place Drivers must proceed to victory lane and join the Race winner in post-Race ceremonies. The top three finishers must wear INDYCAR provided hats in the following order: Firestone, IZOD IndyCar Series, and Engine Manufacturer.
- 1.6.2.7.5.** Immediately following victory lane ceremonies, the Race winner, 2nd place Driver and 3rd place Driver must attend and participate in post-Race interviews in the media center.
- 1.6.2.7.6.** Following the media center interviews, the winning Driver shall attend and participate in a satellite media tour and radio media tour, if requested.

1.6.2.7.7. The 4th and 5th place Drivers must stop on pit lane or such other area as designated by INDYCAR and participate in media interviews.

1.6.2.7.8. All other Drivers agree to attend and participate in the post-Race media center interview process, if requested.

1.6.2.7.9. All selected Cars must be presented to Officials at technical inspection within one hour of the conclusion of the Race.

1.6.3. Indianapolis 500 Mile Race - All Drivers in the Indianapolis 500 Mile Race starting field must attend a media event, at such times and locations as designated by INDYCAR in for a media day/photograph and videotape shoot, with travel provided by INDYCAR. The winning Driver agrees to attend and participate in a national media tour that may include a trip(s) to national media markets.

1.6.4. Championship - All Drivers and Entrants mathematically eligible to win the end of season Driver and/or Entrant point standings agree to attend and participate in activities as follows:

1.6.4.1. End of season Event venue for final Race: a media activity approximately four weeks prior to the end of season Event

1.6.4.2. During the final five Races: designated pre-Race and/or post-Race media requirements, including national media teleconferences, satellite media tours and/or radio tours as directed by INDYCAR

1.6.4.3. End of Season Event Week for final Race: a media event as designated by INDYCAR

1.6.4.4. IZOD IndyCar Series Champion: a national media tour that could include a trip(s) to national media markets, if requested.

1.6.4.5. Celebration - The winning Driver and Car owner must attend and participate in the Celebration at such times and locations as designated by INDYCAR.

1.6.5. Penalties – The Race Director shall determine whether a Member has failed to attend or engaged in inappropriate conduct during a meeting or mandatory activity. The following penalties may apply:

1.6.5.1. First Offense - \$5,000 and/or require attendance at an additional/substitute meeting or activity.

1.6.5.2. Each Additional Offense – INDYCAR may double the fine, require attendance at an additional/substitute meeting or activity, and/or INDYCAR may require the Driver’s Car to start the Race at the rear of the starting field (in the case of a Drivers meeting).

1.6.5.3. Whether in attendance or not, Members shall be charged with knowledge of the matters discussed at all meetings (whether mandatory or not). A Member and the Member’s Entrant waive the right to protest and/or appeal any penalties that may be assessed for any violation of the Rules if the Member was not present at the meeting.

1.6.5.4. No cellular telephones, wireless mobile devices, personal digital assistants or other recording devices may be used during any mandatory meeting and/or activity.

2

MEMBERSHIP

2.1. General - INDYCAR is a membership organization. Each Member shall be deemed to be an independent contractor of INDYCAR, and the relationship between INDYCAR and a Member shall not be deemed to be a partnership, joint venture, an employment or a franchise relationship by virtue of the membership.

2.2. Application

2.2.1. Each applicant may be required to submit the following properly executed materials for INDYCAR approval in the form required by INDYCAR:

2.2.1.1. Membership application on a form provided by INDYCAR,

2.2.1.2. Membership application fee (if any),

2.2.1.3. Substance Abuse Policy Authorization for Screening and/or Testing and Release (if the applicant is a designated Competitor or Official),

2.2.1.4. Participant Authorization for Use and Disclosure of Protected Health Information, and

2.2.1.5. Any other materials required by INDYCAR.

2.2.2. Qualifications for membership shall be determined by INDYCAR and may be periodically revised.

2.2.3. Each applicant agrees to fulfill all contractual obligations such applicant and/or applicant's affiliates may have to INDYCAR, Event Promoters, Manufacturers and their affiliates. Each applicant agrees that INDYCAR, Manufacturers and their affiliates shall have the remedy of specific performance with respect to

any and all such obligations in addition to all other rights and remedies available at law or in equity and notwithstanding any terms to the contrary in any other agreement.

2.2.4. Each applicant must pay any and all outstanding financial obligations owed by applicant or its affiliates to INDYCAR, Manufacturers and their affiliates or make other arrangements acceptable to INDYCAR, Manufacturers and their affiliates.

2.2.5. INDYCAR shall determine whether to accept or reject any membership application, although the rejection of a membership application may be protested and/or appealed in accordance with the procedures set forth in Rule 12 and Rule 13.

2.2.6. If an individual/entity participates in an Event without having properly submitted a fully-executed membership application, the individual/entity, by such participation, nevertheless agrees that the individual/entity is subject to all Rules and all statements, releases and obligations appearing in the membership application as if the individual/entity had properly submitted a fully-executed membership application.

2.2.7. Regardless of where the application is executed by the applicant and/or accepted by INDYCAR and/or the credential issued, applicant recognizes and agrees that the Member's application and associated agreement is an Indiana contract and forms a contractual relationship established in the State of Indiana and governed by the laws of Indiana. This contract and relationship is a legal one and applicant should consult his/her attorney if he/she has any legal questions.

2.3. Term - Unless otherwise noted, a membership expires on December 31 of the calendar year. INDYCAR may issue a credential which may only be valid for a designated period of time or designated Event(s) as INDYCAR deems appropriate.

2.4. Interim Review of Qualifications – INDYCAR may review the qualifications of a Member at any time after accepting a membership to determine whether the Member shall continue to qualify for a membership under these Rules.

2.5. Acknowledgement of Release and Assumption of Risk - INDYCAR may periodically request a Member to acknowledge the release and assumption of risk in the membership application, but the failure of INDYCAR to request and/or a Member to sign an acknowledgement does not negate the release and assumption of risk in the membership application or in these Rules.

2.6. Applicable Laws and Jurisdiction

2.6.1. To avoid the need for specific inquiries, each Member represents, warrants and covenants to INDYCAR and its affiliates that such Member has complied with and at all times will comply with all applicable local, state federal and country laws, Rules and regulations including but not limited to income/sales/use tax, safety/health, transportation, workers compensation, and frequency communications.

2.6.2. If there is a misrepresentation and/or a breach of this warranty and covenant, such Member shall indemnify and hold INDYCAR and its affiliates harmless from any loss or expense incurred by INDYCAR or its affiliates as a result of any noncompliance including without limitation claims of INDYCAR's or its affiliates' sole or contributory negligence and/or a claim that INDYCAR or its affiliates failed to supervise or achieve compliance.

2.6.3. The Rules shall be governed by and construed in accordance with the laws of the State of Indiana, including its choice of law provisions, and the Members submit to exclusive jurisdiction in Indianapolis, Indiana for any administrative or judicial proceedings.

2.6.4. If any litigation involving a Member and INDYCAR is not dismissed pursuant to Rule 13.11, the Member agrees that the matter will be tried only before a judge of

competent jurisdiction in Marion County, Indiana, and the Member hereby waives any right to trial by jury in such action.

2.7. Conduct Identification - A claim of intentional or willful and wanton conduct by one Member against another should never be made unless the claim can be supported by established facts. Even if factually supportable, such a claim cannot continue unless the notice required in the membership application is timely completed.

2.8. Litigation – Each Member agrees to reimburse INDYCAR, its affiliates, and other named Members (“INDYCAR Group”) for all costs of litigation including without limitation travel expenses and attorneys’ fees if either of the following conditions occurs:

2.8.1. The Member initiates or otherwise causes a member of the INDYCAR Group to be named as a party in a legal proceeding not permitted or contemplated by the Rules;
or

2.8.2. The Member requests or compels a member(s) of the INDYCAR Group’s participation in a manner other than as a party to the lawsuit.

2.9. Categories – The following membership categories exist:

- a) Entrant
- b) Driver
- c) Associate
- d) Official
- e) Sponsor
- f) Event Promoter
- g) Media
- h) VIP

2.10. Age

2.10.1. Before an individual shall be eligible for a membership or License and/or to participate in an Event,

such individual must be at least 18 years of age and of sufficient age to participate in an Event and to sign an enforceable contract and/or a separate waiver and release form approved by INDYCAR.

2.10.2. INDYCAR may have additional or different eligibility requirements for a particular Event. INDYCAR reserves the right to limit participation to an age greater than 18 or to require additional documentation as a prerequisite to participation.

2.10.3. No one under age 18 shall be permitted in pit lane during Events unless permitted by applicable insurance requirements and previously approved by INDYCAR and the Event Promoter.

2.11. Moral Fitness

2.11.1. The past or current conduct of an applicant or Member can have adverse consequences to INDYCAR.

2.11.2. An applicant or Member must honestly answer questions raised by INDYCAR as to moral character.

2.11.3. Applicants and Members agree INDYCAR may refuse a membership application or revoke a membership for any reason including but not limited to those related to personal conduct, decency and whether or not any conduct of the applicant or Member creates adverse notoriety with respect to INDYCAR, the IZOD IndyCar Series or an Event.

2.12. Physical and Psychological Fitness

2.12.1. INDYCAR may require any applicant or Member to complete a medical history form and/or complete and pass a medical examination as directed by Officials to determine physical and psychological fitness to receive a membership or License and/or to participate or continue in an Event. At any time, the Officials may require a

Member to be examined by a designated medical professional at the Member's cost.

2.12.2. In addition to Competitors and Officials, any Member who is required to complete a medical history form and/or complete and pass a medical examination shall also be required to immediately notify INDYCAR medical professionals at any time if such Member takes, or is prescribed to take, any drugs or medication (whether or not prescription drugs or medication) and/or if such Member is diagnosed with any medical condition (including pregnancy) by any medical professional or such Member otherwise knows or suspects that the Member has a medical condition that may impair his/her ability to participate in an Event.

2.12.3. Each applicant and Member waives any and all claims regarding any medical examinations and/or examination results, and/or the use or disclosure of such examinations and/or examination results by INDYCAR, its agents and/or its medical professionals including without limitation claims of invasion of privacy and/or breach of confidentiality, notwithstanding whether such claims arise from strict liability, sole or contributory negligence of INDYCAR, breach of contract, or any other legal theory.

2.13. Medical Examinations and Treatment

2.13.1. Examinations and/or treatment of Members, including emergency rescue, performed by medical professionals acting on behalf of INDYCAR are based upon a relationship established in the State of Indiana.

2.13.2. Members acknowledge that the medical professionals are acting pursuant to their contractual obligations with INDYCAR and are not acting or rendering personal medical services to the Members. Members acknowledge that they shall have their own personal physicians.

2.14. Fitness to Participate - Members acknowledge that while the INDYCAR medical professionals render an opinion as to fitness, the final determination of a Member's ability to participate is made by the Race Director.

2.15. Substance Abuse – Members must not use or be under the influence of stimulants, depressants or tranquilizers including but not limited to alcoholic beverages and narcotics during an Event. Designated Competitors and Officials must complete and return to INDYCAR the current Substance Abuse Policy Authorization for Screening and/or Testing and Release and must comply with the provisions of the Substance Abuse Policy at all times.

2.16. Alcoholic Beverages, Illegal Substances and Unauthorized Weapons - The use or possession of alcoholic beverages, illegal substances or unauthorized weapons of any sort by a Member during an Event, as well as the presence of alcoholic beverages, illegal substances and unauthorized weapons on the Track or in other restricted areas during the Event, is strictly prohibited. Any Member violating this Rule may be disqualified and/or suspended and may be subject to additional penalties. Any Member who shows visible signs of exhaustion, physical or psychological impairment, or other physical or psychological irregularities may be disqualified and/or excluded from an Event and subjected to additional examinations and/or penalties.

2.17. Substance Abuse Policy

2.17.1. Any Member may be required to undergo a physical or psychological screening, test or other examination which may include without limitation the collection of urine, blood, oral fluid/saliva, hair, breath and/or any other scientifically-acceptable method of analysis in order to be involved in and/or participate or continue in an Event, and such Member waives any and all claims of invasion of privacy and/or breach of confidentiality as set forth in Rule 2.12.

2.17.2. INDYCAR reserves the right to conduct targeted screening and/or testing and scheduled and/or random screening and testing for drugs and other substances, and the Member agrees to submit to such screening and/or testing if requested. Screening and testing may be for any drug, medication or other substance including without limitation alcohol. INDYCAR may suspend or otherwise penalize any Member for failure to promptly cooperate with any such request for screening and/or testing. INDYCAR may also suspend or otherwise penalize any Member if the results of any screen or test are positive for any illegal substance or any substance that in the opinion of INDYCAR would enhance, impair or otherwise affect the Member's ability to be involved in and/or participate in an Event.

2.18. Violation of Laws – Being charged with a violation of the law, whether alcohol/substance abuse or any other laws, may be grounds for suspension or other penalty. Any Member charged with any violation of the law relating to alcoholic beverages or illegal substances, or charged with any felony, must notify the Race Director prior to the next scheduled Event or within 72 hours of being so charged, whichever is earlier.

2.19. Medical Records - Each Member agrees and consents that in the event of injury or death arising in any way out of the Member's involvement and/or participation in an Event, INDYCAR may obtain access to and copies of any and all medical records of the Member related to such injury or death.

2.20. Memberships, Licenses and Credentials

2.20.1. Prior to gaining access to restricted areas, each individual must have the necessary and appropriate credential. The holder of a membership, License or other credential shall produce it for inspection upon demand of

any Official or security personnel at any Event along with any other document needed to confirm identification.

- 2.20.2.** The annual credential consists of both the lanyard and the hard card. Use of one without the other invalidates the annual credential. In addition, a Member must not use a prior Event's, prior season's or other series' credential.
- 2.20.3.** A membership, License or any other credential (including race mode) may not be disassembled, transferred, assigned, sold, altered or duplicated. It must be used only by the Member to whom it is issued. If a Member intentionally or unintentionally disassembles, transfers, assigns, sells, alters, duplicates or otherwise permits another individual or entity to use or attempt to use the membership, License or credential, then the Member may be penalized and shall indemnify and hold INDYCAR harmless from any loss or expense incurred by INDYCAR arising in any way from Member's action, even if Member asserts that INDYCAR's loss or expense is due to INDYCAR's negligence.
- 2.20.4.** The Rules regarding memberships, Licenses, and credentials are equally applicable to parking passes, Event credentials, golf cart passes, and all other privileges issued to a Member by INDYCAR or an Event Promoter not expressly transferable, assignable or eligible for sale.
- 2.20.5.** INDYCAR may require an applicant and/or Member to provide a valid official government-issued identification including photograph and date of birth in order to receive or retain a credential. Acceptable identification includes but is not limited to state driver's licenses, passports, military cards, etc, but does not include identification issued by educational institutions.
- 2.20.6.** Members are responsible for the conduct of their Participants and guests.

3

SANCTIONS/GOVERNING

3.1. Promotion of Events - INDYCAR will sanction/govern Race Events with an Event Promoter through an Event Agreement. The Event Agreement contains additional terms regarding the Race Event, such as those relating to postponement dates.

3.2. Event Promoter Responsibilities

3.2.1. Event Promoters shall be responsible for designated operations of the Event including without limitation responsibility for obtaining and providing, at the Event Promoter's expense, insurance as required by the Event Agreement, safety precautions, services and vehicles for Competitors and spectators including medical/rescue personnel, equipment and facilities (such as ambulances, air medical, helicopters and examination facilities and equipment); physical condition of the Track; spectator control; and fire protection, all to meet or exceed the minimum requirements provided by INDYCAR and the ASN.

3.2.2. INDYCAR shall not be responsible or in any manner liable for any of the Event Promoter's responsibilities under the Event Agreement or the Rules even if the Event Promoter fails or refuses to perform such functions, duties and responsibilities, in whole or in part, or if INDYCAR voluntarily assumes performance of any or all of the Event Promoter's specific functions, duties and responsibilities.

3.3. Restrictions – Event Promoter shall not schedule any ancillary or supporting entertainment, events or activities that

include racing activity on the Track during the Race without prior written approval by INDYCAR, in each instance.

4

ENTRANT/DRIVER LICENSING AND FREQUENCY/CAR REGISTRATION

4.1. General - Licensing criteria are available from the INDYCAR office and may vary depending on the particular on Track activity. Entrants and Drivers must remain in good standing to participate in an Event. All Licenses shall be made on provided forms and submitted for approval. INDYCAR and ACCUS-FIA (and another ASN, if applicable) shall determine whether to approve and issue a License application. Applicant shall pay any and all costs associated with satisfying the License criteria. Driver Licenses are not transferable at any time; Entrant Licenses are not transferable without prior written approval.

4.1.1. Licenses are revocable at any time and for any reason. Without limiting the foregoing, Licenses for rookie drivers are granted on a temporary basis.

4.1.2. Licenses may be limited to a particular type of Events or for a specified period of time.

4.1.3. Licensed Entrants and Drivers are eligible to earn awards including without limitation TEAM award payments and points as described in the Rules.

4.1.4. Eligibility for a License shall be determined based on such factors as are indicative of the applicant's ability to participate satisfactorily in an Event.

4.1.5. Fees may be charged for Licenses.

4.1.5.1. Fees are non-refundable. No fee or any part there of shall be refunded to a licensee because the licensee ceases to participate in Events regardless of the reason for such cessation.

4.1.5.2. License fees are for an entire season and will not be pro-rated for any reason including without limitation for Members who begin participating after the first Event.

4.1.6. A License is valid only for the current season and/or as otherwise restricted. Unless otherwise noted, all Licenses shall expire on December 31 of the calendar year.

4.1.7. An applicant may protest or appeal denial of a Driver or Entrant License and membership application, grade of Driver's License, determination of rookie status or eligibility for a rookie orientation or refresher Test in accordance with the procedures set forth in Rules 12 and 13.

4.1.8. INDYCAR may continuously re-evaluate the eligibility and performance of a Driver and/or Entrant to determine if the Driver and/or Entrant shall remain licensed. As part of such evaluation, INDYCAR may consider input from Officials, Drivers and others as INDYCAR determines appropriate and may require a Driver and/or Entrant to participate in Testing under the observation of Officials, Drivers and others.

4.2. Entrant License

4.2.1. The individual signing the application represents that the individual is authorized to act on behalf of the named Entrant in all matters. Additional corporate representatives may be listed, and the authority of any individual may be limited. One corporate representative must be present at Open Test and Race Events.

4.2.1.1. If a corporate representative's status changes, an individual authorized to act on behalf of the Entrant may be required to submit a new application for that Entrant for approval. An Entrant may be required to submit another Entrant License fee and

resubmit any other materials including but not limited to Leaders Circle Agreement, Entry forms, etc.

4.2.1.2. Upon request, INDYCAR must be provided satisfactory information regarding ownership of an Entrant.

4.2.2. Eligibility

4.2.2.1. General – After receipt of the application, the Entrant's competitive viability will be assessed to determine whether to approve and issue the License. Factors taken into account may include:

4.2.2.1.1. purchase and/or lease agreements with Manufacturers;

4.2.2.1.2. purchase and/or lease agreement for its shop; and

4.2.2.1.3. existence of employment agreements with key personnel including but not limited to team manager, engineer, chief mechanic and Driver.

4.2.3. Entry - Upon issuance of the Entrant License, the Entrant may submit Entry forms identified by the Car number assigned to that Entrant License. The Entry (Car with Driver) must display the Car number at all times during the Event, and all points and awards including without limitation TEAM award payments earned by this Entry will be credited to that Car number unless otherwise determined by INDYCAR. An Entrant intending to compete with multiple Entries at a single Event must obtain an Entrant License with a unique Car number for each Entry or satisfy such other requirements as INDYCAR may prescribe.

4.2.4. Chief Mechanic

4.2.4.1. Each Entry must have a chief mechanic.

4.2.4.2. The chief mechanic is responsible for the Car complying with the Rules.

4.2.4.3. The chief mechanic must be in the Car's assigned pit when the Car is on the Track and must accompany the Car during all technical inspection processes.

4.2.4.4. Entrant agrees its chief mechanic shall serve as an authorized corporate representative regarding all issues related to technical inspection.

4.2.4.5. An Entrant shall replace its chief mechanic if INDYCAR determines that the chief mechanic is not sufficiently qualified.

4.2.5. Manufacturers – The Manufacturers may require an Entrant to enter into lease and/or purchase agreements in a form acceptable to the Manufacturers and meet other Manufacturer requirements before the Manufacturers are obligated to supply components to such Entrant.

4.3. Driver License

4.3.1. Licenses may be approved and issued to individuals determined eligible by INDYCAR to compete in an Event and who otherwise meet the application requirements.

4.3.2. The determination of whether the applicant may take a driver's Test and whether the applicant successfully completed the Test shall be made by INDYCAR.

4.3.3. INDYCAR and/or ACCUS-FIA (and another ASN, if applicable) shall determine the grade of the License issued to a Driver.

4.3.4. In order for a driver to compete in any Event, the driver must hold a Driver License and at any time may be required to:

- a) Participate in any INDYCAR required Testing and/or
- b) Provide an updated resume, certified birth certificate, and/or
- c) Furnish a current medical clearance acceptable to INDYCAR attesting to the driver's fitness for racing.
- d) At any time, INDYCAR may require a foreign Driver to provide proof of United States residency and an international letter of authorization from the Driver's ASN.

4.3.5. Eligibility

4.3.5.1. An applicant must have sufficient competitive driving ability and experience as determined by the Race Director.

4.3.5.2. INDYCAR's determination as to ability will take into account all such factors as INDYCAR deems relevant. The criteria taken into account by INDYCAR are listed below. The criteria are subject to change at any time. An applicant must contact INDYCAR for the current Race-specific criteria.

4.3.5.3. INDYCAR may require the applicant to provide:

4.3.5.3.1. A current resume containing a complete history of the applicant's competition to date and demonstrating the applicant's ability to properly handle the Car;

4.3.5.3.2. A letter of recommendation from the race director of the series in which the driver last competed; and

4.3.5.3.3. Such other information as INDYCAR may request.

4.3.6. Medical Information - The applicant must provide the medical information required by INDYCAR and must successfully complete any INDYCAR-prescribed physical and psychological examinations, which may include without limitation eye, neurological and substance abuse screening and/or testing.

4.3.7. Rookie, Rookie Orientation Test and Refresher Test – General

4.3.7.1. Rookie - INDYCAR shall determine whether a Driver is a rookie. If a Driver begins the season as a rookie, he/she remains a rookie until the end of the season.

4.3.7.2. Rookie Orientation Test – An applicant must demonstrate Car control, placement and a consistent driving pattern. INDYCAR may require additional Testing including without limitation Testing in close proximity to other Cars, before an applicant may be permitted to participate in an Open Test and/or Race.

4.3.7.3. Refresher Tests - An applicant including but not limited to a driver who has not participated as a Driver in an Event during the past 12 months may be required to successfully complete a refresher Test. In lieu of a refresher Test, INDYCAR may require an applicant to successfully complete a rookie orientation Test.

4.3.7.4. Costs – An applicant shall pay all costs incurred by INDYCAR relating to such Tests.

4.3.8. Rookie, Rookie Orientation Test and Refresher Test - Indianapolis 500 Mile Race Event

- 4.3.8.1. Rookie** - A Driver is a rookie at the Indianapolis 500 Mile Race Event if the Driver has not participated in a previous Indianapolis 500 Mile Race.
- 4.3.8.2. Rookie Orientation Test** - Successful completion of a rookie orientation Test at another facility and/or participation in an Event does not satisfy this requirement.
- 4.3.8.3.** INDYCAR shall hold a mandatory driver and team manager meeting prior to the beginning of the rookie orientation Test session. At this meeting, INDYCAR will announce the speed phases and other requirements for the rookie orientation Test.
- 4.3.8.4.** In addition to Car control, placement and a consistent driving pattern, the rookie orientation Test shall consist of 40 laps: four phases of 10 laps per phase. The laps do not have to be consecutive. The phases and corresponding speeds will be determined based on Track/weather conditions.
- 4.3.8.5.** Veteran drivers shall be posted around the facility to observe Track activities. Drivers will be permitted time to practice after the completion of one phase and before beginning the next phase.
- 4.3.8.6.** Rookie Drivers must successfully complete a minimum of three of the four phases to be eligible to participate in practice when the facility opens for practice. No rookie Driver will be eligible for a qualifications attempt prior to completing the final phase.

4.3.8.7. Refresher Test – If a Driver has not participated in the IZOD IndyCar Series since the prior year’s Indianapolis 500 Mile Race, the Driver must contact INDYCAR to determine if any Testing shall be required.

4.3.8.8. In addition to Car control, placement and a consistent driving pattern, the refresher Test consists of the 20 laps that make up the third and fourth phases of the rookie orientation Test. No such Driver will be eligible for a qualifications attempt prior to completing the refresher Test.

4.3.8.9. Rookie Orientation - Except as otherwise approved by INDYCAR, rookie orientation Tests shall only be conducted during the designated times/dates.

4.3.8.10. Relief Driver - With INDYCAR approval, an Entrant may change Drivers during a Race. In such case, a relief Driver is the Driver who replaces the original Driver who started the Race in the Car.

4.4. Radio and Wireless Frequency Registration - All Members agree INDYCAR owns all voice, data and telemetry collected by or on behalf of INDYCAR including without limitation all voice, data and telemetry from radio and wireless data frequencies.

4.4.1. Radio Frequencies – Each Member transmitting or receiving any signal including but not limited to voice, data and telemetry, but excluding Internet related Wi-Fi (regulated pursuant to Rule 4.4.2) shall:

4.4.1.1. Provide the specifications (e.g., manufacturer, make, model, serial number) of the radio to be used in the Car to the INDYCAR-designated representative prior to the first Race;

4.4.1.2. Not password-protect or otherwise affect the INDYCAR-designated representative's ability to read the radio to be used in the Car at any time;

4.4.1.3. Notify the INDYCAR-designated representative immediately upon changing any of the specifications of the radio to be used in the Car;

4.4.1.4. Register all such frequencies, including primary and backup Car frequencies, with the INDYCAR-designated representative at each Event according to following schedule:

Non Indianapolis 500 Mile Race Events: a minimum of 24 hours prior to the start of an Event, and

Indianapolis 500 Mile Race Event:

a) by 12:00 p.m. on the Friday preceding qualifications, and

b) by 12:00 p.m. on the Wednesday preceding the Race, and

4.4.1.5. Notify the INDYCAR designated representative immediately upon changing primary Car or crew frequency;

4.4.1.6. Operate all such frequencies in the 450 – 470 MHz UHF spectrum with a 12.5 channel spacing;

4.4.1.7. Not encrypt or digitize any Car or crew communications on Race day;

4.4.1.8. Consent, and hereby does consent, to the taping and/or rebroadcast by INDYCAR or its designee of any such transmissions through any and all media and for any and all purposes; and

4.4.1.9. Comply with all applicable laws regarding such use, and indemnify and hold INDYCAR and its designees harmless with respect to failure to comply with applicable laws, even if the violation involves INDYCAR's or its designee's sole or contributory negligence.

4.4.2. Wireless Data Frequency (“Wi-Fi”) - Each Member transmitting or receiving any signals for wireless data transmissions shall:

4.4.2.1. Register the frequency and sub-level channels with the INDYCAR-designated representative at each Event according to the following schedule:

Non Indianapolis 500 Mile Race Event: a minimum of 24 hours prior to Cars on the Track at each Event, and

Indianapolis 500 Mile Race: by the designated time/date;

4.4.2.2. Notify the INDYCAR-designated representative immediately upon changing frequencies or sub-level channels;

4.4.2.3. Coordinate and modify frequencies for use with other wireless data networks as specified by INDYCAR; and

4.4.2.4. Comply with all applicable laws regarding such use, and indemnify and hold INDYCAR and its designees harmless with respect to failure to comply with applicable laws, even if the violation involves INDYCAR's or its designee's sole or contributory negligence.

4.5. Car Registration – A Car may compete only in the Events in which the Car is entered. The Entry form must establish the Entrant's right to enter the Car in the Event and include proof of ownership of the Car acceptable to INDYCAR.

INDYCAR will use the following two numbers to identify the Car:

4.5.1. Registration Number (serial number) – The unique number assigned by Dallara.

4.5.2. Car Number – INDYCAR will assign to each Entrant License (not Driver License) a unique Car number. The Car number may consist of a maximum of three spaces, two of which may be numeric digits and one of which may be an alphabetic letter. Car numbers 1 and 01 will be reserved for the defending Entrant (not Driver) series champion.

4.5.2.1. All Car numbers are owned by INDYCAR. No Member has a right to or ownership interest in a Car number. An Entrant may not sell or assign a Car number without the prior written consent of INDYCAR.

4.5.2.2. INDYCAR shall determine the assignment, or reassignment, of Car numbers. Such decisions may not be protested or appealed. All Entrants desiring a particular Car number must make a written request. INDYCAR will not guarantee a request will be granted.

4.5.2.3. After a Car number is assigned to a particular Entrant License, it will remain with that Entrant License until the end of the season, provided that Entrant enters a Car and displays the Car number on the Car at each Event. If the Entrant does not enter a Car and/or display the Car number on the Car at an Event, INDYCAR may reassign the Car number.

4.5.2.4. Indianapolis 500 Mile Race Event - "T" numbers are assigned to an Entrant's second (or backup) Car incorporating the Car number of the first (or base) Car. Any Car which displays a "backup" Car number must display the single letter "T" in a 5

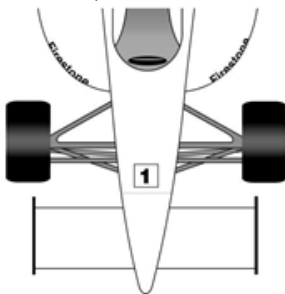
inch minimum height adjacent to and behind the Car number in all required number locations. The "T" must be displayed throughout all practice sessions and/or qualifying unless otherwise approved by Officials.

4.5.2.5. The required numbers must be clearly visible as determined by Officials. All aspects of the Car number including but not limited to width, color, font and slant, must be approved by INDYCAR prior to use. Unless otherwise approved by INDYCAR, the required Car number areas must be free of all other decals, trim and decorations.

4.5.2.6. Each Car must provide the following minimum size rectangular "blank space" areas in specific locations for the display of required Car numbers of specific minimum sizes.

4.5.2.6.1. Left and Right Rear End Fences – The minimum height of the numeric digit must be 7 inches, and the minimum height of the alphabetic letter must be 4 inches.

4.5.2.6.2. Nose – The numeric digit must be 8 inches tall, and the alphabetic letter must be 4 inches tall. The Car number must be located in an INDYCAR-approved location. (See **Illustration**).



4.5.2.6.3. Headrest - The Car number must be a minimum dimension of 1 inch by 1 inch. The Car number must be located on top of the headrest behind the Driver's helmet in a contrasting color (See Illustration).



4.5.2.6.4. Tub - The Car number and Driver's first and last name must be 1 inch tall each. They must be located directly behind the headrest and on the tub and appear in white lettering (See Illustration).



4.5.2.7. Car Names - A Car must have a name that shall be identified on the Entry form. The Entrant represents to INDYCAR that it has the right to use that Car name. The Car name is subject to the approval of INDYCAR and must not exceed 35 characters, including all spaces and punctuation.

4.5.2.8. Car Appearance – INDYCAR has the right to control the appearance of Cars to distinguish one Car from another. This may include but is not limited to Car color. Cars are required to display significantly different colors. In general, INDYCAR may require different color schemes on any four of the following seven components:

- Mirror housing;
- Air intake;
- Roll hoop camera cover;
- Front and rear wing end fences;
- Leading edge of the front wing;
- Leading edge of the rear wing; or
- Attenuator.

5

ENTRIES

5.1. General - All Entry applications shall be completed on forms provided by INDYCAR in the form required by INDYCAR and shall be subject to the approval of INDYCAR. Entries are not transferable without the prior written approval of INDYCAR.

5.1.1. An Entry consists of an Entrant, Driver and numbered Car. At designated Events, an Entry may include a backup Car with a backup “T” number.

5.1.1.1. Entrant

5.1.1.1.1. An approved Entry serves as the authorization to compete in a specific Event(s) on behalf of the specific Entrant to whom the Car number is assigned.

5.1.1.1.2. If an Entrant participates in an Event without having properly submitted a fully executed Entry form, the Entrant, by such participation, nevertheless agrees that the Entrant is subject to all Rules, and all statements, releases and obligations appearing in the Entry form for the Event, as if the Entrant had properly submitted a fully executed Entry form.

5.1.1.2. Driver

5.1.1.2.1. Each Entry form must list a Driver.

5.1.1.2.2. Another Driver may be substituted for the original Driver, provided notification is given

to INDYCAR and INDYCAR approves the substitution.

5.1.1.3. Car

5.1.1.3.1. Participation of a Car in an Event - In order to participate in an Event, the Car must be properly entered and be designated and explicitly identified by Car number on only one Entry form for that Event. Any Car participating in an Event while in noncompliance with the above requirements may be disqualified, and any Competitor who causes such noncompliance may be disqualified and/or otherwise penalized by INDYCAR.

5.1.1.3.2. Car Substitution during an Event (“Backup Cars”)

5.1.1.3.2.1. An Entrant’s Backup Car must remain on the transporter without an Engine installed. The Backup Car may only be removed, have an Engine installed and used in any on Track activities during the Event with prior approval by INDYCAR.

5.1.1.3.2.2. An Entrant is permitted to remove its Backup Car from its transporter and install an Engine, provided the Entrant is scheduled to participate in another INDYCAR approved activity within the next 7 days.

5.1.1.3.2.3. For International events, INDYCAR may require engines be installed in all Backup cars as determined by space availability.

5.2. Fees - Entry fees must be paid as directed by INDYCAR.

5.3. Deadline - The Entry deadline shall be stated on the Entry form. Unless otherwise specified on the Entry form, the hour of closing shall be 5pm E.D.T. INDYCAR may accept or refuse to accept late Entries. Late Entrants, if accepted, may be penalized by INDYCAR.

5.4. Electronic Entries - An Entry by computer, facsimile or other means delivered by the Entry deadline may be accepted, provided it is subsequently accompanied by the original completed Entry form and Entry fee within 48 hours of INDYCAR's receipt of the electronic Entry or as otherwise directed by INDYCAR.

5.5. Reopening of Entries - If INDYCAR postpones an Event, INDYCAR may authorize the reopening of Entries. Reopened Entries shall close not less than 48 hours before the declared starting time of the postponed Event.

5.6. Failure to Participate - Any Driver, Entrant or other Member who by Entry form or other means has agreed to participate in an Event may be penalized for failing to participate.

5.7. Entry Change – All changes to an approved Entry form shall be completed on INDYCAR provided forms and subject to approval by INDYCAR prior to the Entrant's Car participating in any on Track activities.

6 TESTING

6.1. General – Members are only permitted to conduct Testing in accordance with this Rule 6.

6.1.1. These Rules apply from January 1, 2012 through the last Race Event of the 2012 season.

6.1.2. Violations of the following Rules shall result in penalty including without limitation the loss of Entrant, Driver and/or Manufacturer points and a monetary fine not to exceed \$500,000.

6.1.3. Any combination of Drivers may participate in a Test. The Driver is not required to be the Entrant's current Driver.

6.2. Approved Testing

6.2.1. Engine Manufacturer Test – An Engine Manufacturer Test is a Test organized by an Engine Manufacturer to which selected Entrants are invited to participate.

6.2.1.1. Pre-Season Test - Pre-Season is the period between January 1, 2012 and the first Race Event. Testing is unlimited, provided a new Engine architecture or Engine manufacturer is being introduced.

6.2.1.2. In Season Test - In Season is the period between the first Race and the final Race Event. Testing is limited to six (6) Days.

6.2.1.3. Open Test – Includes without limitation the following:

a) Sebring, March 5th – 6th or 8th - 9th (2 days)

b) Texas, March 13th

6.2.4.1. Tires – All Open Test Entrants shall be allocated 3 sets of tires per Day per Entry.

6.2.2. Team Test – A Team Test is a Test organized by an Entrant. An Entrant must permit other Entrants to participate, provided such Entrants are in good standing with INDYCAR (up to the maximum number permitted by the facility).

6.2.2.1. Pre-Season - Pre-Season is the period between January 1, 2012 and the first Race Event.

6.2.2.2. In Season - In Season is the period between the first and the final Race Event.

6.2.2.3. Partial Season Entrant – A Partial Season Entrant is an Entrant scheduled to participate in some, but not all, of the Race Events.

6.2.2.4. Full Season Entrant

6.2.2.4.1. Tires - All Full Season Entrants shall be allocated a maximum of 32 sets of tires for all In Season and Pre-Season Testing. This excludes Engine Manufacturer Tests and Open Tests.

6.2.2.4.2. Pre-Season - A Full Season Entrant is allocated a maximum of 1,000 miles. Unused Pre-Season Testing mileage is not carried over to the In Season.

6.2.2.4.3. In Season – A Full Season Entrant is allocated a maximum of ten thousand (10,000) total miles for use in Race Events, Team Tests, Open Tests and straight line Tests. Team Tests and straight line Tests are limited to a maximum

of six (6) days per Team. Each Entrant must manage its miles accordingly to avoid penalties.

6.2.2.5. Partial Season Entrant

6.2.2.5.1. Tires - All Partial Season Entrants shall be allocated a maximum of 16 sets of tires for all Testing, excluding Engine Manufacturer Testing and Open Tests.

6.2.2.5.2. Pre-Season - A Partial Season Entrant is allocated a maximum of 1,000 miles.

6.2.2.5.3. In Season – A Partial Season Entrant is allocated an additional 100 Test miles for each Race Event in which it participated, up to a maximum of 1000 miles. Two additional sets of tires shall be allocated for each 100 Test miles, up to a maximum of 16 sets.

6.3. INDYCAR-Approved Venues – Tests may only occur at the following INDYCAR-approved venues:

6.3.1. All 2012 IZOD INDYCAR Series Race venues, except the Indianapolis Motor Speedway and street course venues

6.3.2. Road Courses

Firebird International Raceway – East
Homestead Miami Speedway
Mazda Raceway Laguna Seca
MSR Houston
Palm Beach International Raceway
Portland International Raceway
Road America
Sebring International Raceway (Road Course)
Watkins Glen International

6.3.3. Ovals

Chicagoland Speedway
Homestead Miami Speedway
Kansas Speedway
Kentucky Speedway
Michigan International Speedway
Nashville Superspeedway
New Hampshire Motor Speedway
Phoenix International Raceway
Richmond International Raceway

Straight line Testing at venues other than those approved by INDYCAR is not eligible for INDYCAR's standard participant accident insurance coverage.

6.4. Testing Periods – In general, Testing is not permitted within 7 days prior to the start of the Race Event at a facility where a Race is being held. (e.g., first practice Friday / Testing concludes end of the day Thursday week prior). In addition, private Testing is not permitted on the following days:

- a) January 1st - January 11th
- b) February 13th – 14th
- c) April 6th - April 8th
- d) May 8th - May 28th
- e) July 3rd - July 5th
- f) November 21st - November 25th
- g) December 15th - December 31st
- h) During any INDYCAR Open Tests.

6.5. Additional Testing Restrictions

6.5.1. Members agree to provide a minimum of one hour of media availability per Day.

6.5.2. Mileage may only be used by the designated Entrant.

6.5.3. All Testing must be INDYCAR approved. The request is required a minimum of twenty-one (21) days prior to a Test.

6.5.4. An INDYCAR approved private test facilitator must be present at all Tests except as otherwise approved by INDYCAR.

6.5.5. Wind tunnel and rig Testing is permitted.

6.5.6. Members shall not Test in simultaneous on-track activity with any non IZOD IndyCar Series vehicles (including without limitation Firestone Indy Lights cars).

6.5.7. Testing requests for any purpose other than as set forth in this Rule 6 (for example filming commercials) must be submitted to INDYCAR for approval. If a Test is approved, INDYCAR may establish conditions for approval including without limitation requiring the presence of an Official.

7

ON TRACK PROCEDURES

7.1. Track Conditions - The Race Director determines the Track Condition. Track Conditions include the following:

7.1.1. Green Condition - The green condition signifies racing conditions.

7.1.2. Yellow Condition – The yellow condition signifies caution.

7.1.2.1. Oval Events – All Cars must slow down.

a) **Practice** - The Drivers shall reduce speed immediately, maintain position, yield to safety vehicles and/or personnel and return to their assigned pits. All times posted during the lap shall be voided.

b) **Qualifications** - A qualifications attempt is stopped.

7.1.2.2. Road/Street Course Events

a) **Local** – Drivers should reduce speed and be prepared to stop. Passing is not permitted between the first yellow condition and the subsequent green condition.

7.1.2.3. Full Course Yellow All Events – During a Race

7.1.2.3.1. All Drivers are required to proceed with caution, observe the flags, maintain position and yield to safety vehicles and personnel. The Race leader shall return to Safety Car speed. The

Safety Car will be dispatched and pick up the leader. All other Drivers are required to form a single file line, and pack up behind the Race leader. The Race Director shall determine if the leader or any other Car fails to pace the Race as directed. The Race Director shall determine the type and timing of any penalty as he deems appropriate. Such decision is not subject to protest and/or appeal.

- a) Upon the commencement of a full course yellow condition, the pit lane is closed.
- b) The pit lane shall remain closed until the Race Director declares the pit lane open.
- c) Any Driver at or past the pit commit line prior to commencement of the yellow condition may make a pit stop and exit the pit lane with caution.
- d) Any Driver entering the pit lane following the commencement of a full course yellow before the pits are declared open may avoid penalty by proceeding through the pit lane without stopping.
- e) Only required work may be performed on the Car while the pits are closed. If required work is performed on the Car while the pits are closed, the Car must then return to its pit stall and come to a complete stop on the lap after the pits have been opened to all Cars. INDYCAR will penalize any Competitor who:
 - i) performs work on its Car other than required work or
 - ii) does not make the additional required pit stop.

7.1.2.3.2. The pit lane will start and end at points designated by Officials. The pit entrance and pit

exit lanes are considered part of the Track. Drivers exiting the pit lane shall rejoin the pack relative to the position they are to the Safety Car and/or Cars on Track as they cross the blend out line. Taking improper position upon leaving the pit lane or failure of a Driver and/or Entrant to follow the direction of Officials may result in a minimum one-lap penalty. The Official's determination of the order is not subject to protest or appeal.

7.1.2.3.3. A Car may not use pit lane to improve its position relative to the Safety Car or any Car remaining on the Racing Surface, but a Car may improve its position relative to other Cars in pit lane.

7.1.2.3.4. Laps completed will be scored, unless stated otherwise.

7.1.3. Red Condition

7.1.3.1. Non-Race Conditions - All Drivers are required to slow to caution speed, maintain position and yield to safety vehicles and personnel. Cars are required to return to their pit location.

7.1.3.2. Race Conditions:

- a) The red condition signifies racing conditions are no longer in effect.
- b) Competitors must proceed cautiously to a location designated by Officials.
- c) Unless otherwise instructed by Officials, no work is permitted on the Cars, except Entrants may plug in a booster battery and apply towels to bodywork.

7.1.4. The decision as to whether to declare a Green, Yellow, Full Course Yellow or Red condition may not be protested or appealed.

7.1.5. While additional information regarding Track Condition is included in the Flag Code section for convenience, this information is equally applicable to the other systems of notification (Track Lights, Race Control Frequency and Track Condition Radio).

7.1.6. Decisions by the Race Director are effective immediately, regardless of the time the declaration is received by the Competitors. INDYCAR uses multiple systems to notify Competitors of such decisions. All Competitors shall react to the first notification they receive. The systems include the following:

7.1.6.1. Track Lights – Green and/or yellow lights positioned around the Track above the outside retaining wall adjacent to the debris fence.

7.1.6.2. “Race Control Frequency” – The radio frequency used by INDYCAR to provide direct communication to Entrants during Events. The spotter (if applicable) and a representative of the Entrant in the Entrant’s pit must both monitor it. Entrants failing to monitor it shall be charged with knowledge of communication on such frequency and are subject to penalty. Competitors failing to follow directions may be penalized.

7.1.6.3. Track Condition Radio (“TCR”) - All Cars must use the INDYCAR-supplied TCR and wiring harness without modification.

7.1.6.3.1. Oval Events - The TCR signals a yellow condition.

7.1.6.3.2. Road/Street Course Event - The TCR signals a Full Course Yellow during a Race or

red condition during, practice or qualifying sessions.

7.1.6.4. Instant Messaging - Race Control will send messages where applicable to the Entrant(s). This system may be used to communicate Track conditions, send warnings, penalties, or other information to the Entrant. The system may send information to an individual Entrant or to the entire field.

7.2. Flag Codes (“Flags”)

7.2.1. Green - signifies a green condition.

7.2.1.1. All Events

- a) **Practice** – A practice session has begun.
- b) **Qualifications** - A qualifications attempt or segment has begun.
- c) **Race** – Unless otherwise instructed, a Race has begun.

7.2.1.2. Road/Street Course Events Only- The Track downstream of a yellow condition is clear.

7.2.2. Yellow - signifies a yellow condition. During Road/Street Course Events:

7.2.2.1. Local – A yellow flag is displayed at a marshal’s post.

- a) **Stationary** – A standing yellow flag means reduce speed, passing not permitted, be prepared to change direction, a hazard beside or near the edge of the Track.

- b) Waving** - A waved yellow flag means reduce speed, passing not permitted, be prepared to change direction or stop, a hazard wholly or partially blocking the Track.

7.2.2.2. Full Course – Standing double yellow flags displayed at all Marshal's posts. Waved double yellow flags will be displayed at the post with the hazard.

7.2.3. Black - The Driver shall proceed to the pit area on the next lap and follow the instructions of Officials.

7.2.3.1. The Race Director may declare a black flag for a Car if he determines that:

- a)** Any condition exists which could cause the Driver or the Driver's Car to create a hazard to the Driver or others;
- b)** If the Driver has violated a Rule.
- c)** Upon request by the Entrant.

7.2.3.2. When a Driver is ordered to the pit lane because of a hazardous condition of the Driver's Car, the proper repairs must be made and approved by Officials before the Car will be permitted to continue in the Event.

7.2.3.3. In the event of a violation of the Rules, the black flag may be declared to impose a penalty (a "black flag penalty") which may include repositioning Cars or requiring a Driver to:

- a)** Drive through pit lane at pit lane speed limits ("drive through");
- b)** Stop in pit lane ("stop and go"); or

c) Stop in pit lane for a prescribed period ("detention").

7.2.3.4. The Race Director shall determine the type and length of any black flag penalty. The penalized Car shall proceed to the pit lane as directed by Officials and may return to the Race only upon the declaration of Officials. In the case of a Driver violating the Rules, no work may be performed on a Car during the execution of a black flag penalty. Should any such work occur, the conditions of the penalty are unfulfilled and the penalty procedure must be executed again in its entirety on a subsequent lap. The penalty may not be protested and/or appealed.

7.2.4. Black with White Cross - Officials have ceased scoring the Car indefinitely.

7.2.5. Blue Flag - An approaching Car is attempting to overtake and the Car being signaled must give consideration to the overtaking Driver.

7.2.6. White

7.2.6.1. Oval Event Qualifications - The Car has commenced its last lap.

7.2.6.2. Road/Street Course Events Practice/Qualifications - When displayed from a marshal's post, a Car or safety vehicle is not at full speed on the Racing Surface.

7.2.6.3. All Races - When displayed from the starter's stand, the leader has commenced his/her last lap and will continue to be displayed to all successive Cars as they cross the finish line.

7.2.7. White with Red Cross - When displayed from the starters stand, safety vehicles and/or personnel are on Track.

7.2.8. Alternating Red and Yellow Stripes - Oil, water or other substance has altered the Racing Surface.

7.2.9. Checkered - The practice session, qualifying session or Race is completed. All Drivers must enter the pits after receiving the checkered flag.

7.2.9.1. Road/Street Course Events - The checkered flag will be displayed at the marshal's post nearest the **alternate start/finish line** at the end of all practice and qualifying sessions. All Drivers must immediately enter the pits after receiving the checkered flag at this point.

7.2.9.2. Warm up Sessions – The checkered flag will be displayed at the start/finish line.

7.2.9.3. Race – The checkered flag will be displayed to the Race leader at the start/finish line upon the completion of the Race Leader's final lap and will continue to be displayed until each Car running has received the checkered flag.

7.2.10. Red – Signifies a red condition.

7.2.10.1. Unless otherwise declared by INDYCAR, a Race stopped by the declaration of a red condition will be considered incomplete unless more than 50% of the scheduled number of laps has been completed by the Race leader. If INDYCAR schedules the continuation of the Race on a subsequent date or a later time, the Race will be restarted beginning with the unfinished portion of the scheduled number of laps.

7.2.10.2. If a Race is stopped by the declaration of a red condition and more than 50% of the scheduled number of laps have been completed by the Race leader, INDYCAR may declare the Race complete

and final standings will be determined by ranking all Cars in order by total laps completed and sequence of completion through the last official Race lap.

7.2.10.3. Officials will make reasonable effort to restart a Race stopped by the declaration of a red condition if the conditions warrant.

7.2.10.4. The Race Director's decision to restart or not to restart a Race stopped by the declaration of a red condition may not be protested or appealed.

7.3. Timing and Scoring

7.3.1. Race Distance and/or Time Limit

7.3.1.1. INDYCAR shall announce the scheduled number of laps and/or time limit prior to the start of a Race.

7.3.1.2. If INDYCAR determines that there are time limitations due to weather, curfew, or otherwise, INDYCAR may move the start time of a Race, shorten the distance of a Race, set a maximum time for a Race, or take such other actions as it deems appropriate.

7.3.2. Systems

7.3.2.1. The electronic scoring system is the primary scoring record. INDYCAR will record the physical sequence in which each Car crosses the start/finish line, including in pit lane.

7.3.2.2. At Oval Events, the serial scoring system is a backup scoring record.

7.3.2.3. INDYCAR may use other substantiating scoring systems.

7.3.2.4. If the Race Director cannot visually determine the position of a Car relative to other Cars, the Race Director may consult with other Officials and access such other data as he determines necessary or appropriate to assist him in determining the order of the Cars.

7.3.3. Start/Finish Line - The scoring of Cars shall begin at the moment when the timing transponder of the lead Car reaches the starting line and the declaration of the green or yellow condition has been given by the Race Director.

7.3.3.1. Oval Events and Indianapolis 500® Mile Race
- A single start/finish line will be defined across the Track, and extended across the pits where appropriate, in the immediate area of the starter's stand.

7.3.3.2. Road/Street Course Events - INDYCAR may designate separate start/finish lines.

7.3.4. Lap Credit

7.3.4.1. A Car will be credited with a lap when its timing transponder crosses the start/finish line after completing one entire lap of the Track with two wheels of the Car having remained on the Racing Surface at all times, as determined from the scoring records. Notwithstanding the foregoing:

7.3.4.1.1. If a Car returns to pit lane under its own power and retires from the Race, INDYCAR may credit the Car with completion of the lap.

7.3.4.1.2. On the last lap of a Race, a Car will be officially credited with a lap when any part of the Car under its own power crosses the finish line.

7.3.4.1.3. A Car will not be permitted to advance or maintain its position relative to other Cars due to an excursion off the Racing Surface unless the excursion was due to the Car taking evasive action.

7.3.4.2. A Car shall be considered the first Car out of the Race and shall be awarded the final finishing position based on the following order:

- a) The Car is a non-starting Car pursuant to Rule 10.3.5,
- b) The Car does not leave the starting grid and does not return to the Race,
- c) The Car drops out during the parade or pace laps, or
- d) The Car drops out of a Race before completion of the first lap.
- e) In the event more than one Car is affected in one of the above categories, INDYCAR shall rank such Cars based on their original starting grid positions.

7.3.4.3. Final standings will be determined by the sequence in which the Cars completed the scheduled number of laps.

7.3.4.3.1. Except as provided in Rule 7.2.4.1.2, a Race will be completed by the Race winner at the moment the timing transponder of the Car crosses the finish line on the last lap. The Race will be completed by each other Car when the timing transponder of each Car crosses the start/finish line after the Race leader. Scoring will thereafter cease, and the Race is completed. Officials' decision may not be protested or appealed.

7.3.4.3.2. Cars not completing the scheduled number of laps will be ranked in order by total laps completed and sequence of completion, whether the Car is still running or not. The Race Director shall determine the “reason out” for each Car not listed as running. The Race Director’s decision may not be protested or appealed.

7.3.5. Ties

7.3.5.1. In the event the scorers are unable to conclusively determine any difference in the physical sequence for two or more Cars at the end of a Race, Officials shall determine the finishing positions based upon the Cars’ positions at the finish line on the prior lap.

7.3.5.2. In the event two or more Cars post the identical number of laps led in a Race, the Car finishing the Race in the higher/highest position will earn the two points or award for most laps led.

7.3.5.3. The Race Director’s decisions are not subject to protest or appeal.

7.4. Pit Locations/Selection

7.4.1. Non Indianapolis 500 Mile Race Events – Except as otherwise provided in the Rules, pit locations for a Race Event shall be determined based upon the Entry’s position in the qualifications results (inclusive of penalties) at the immediately prior similarly configured Race venue (Oval qualifications results for Oval pit location and Road/Street Course qualifications results for Road/Street Course pit location). Pit locations will begin with the pole position Entry receiving the stall at pit out and continuing through the qualifications results to Pit In. Team Pits will not be averaged.

7.4.1.1. If an Entry did not participate at the prior similarly configured Race venue, it shall be ranked at the end of the pit selection order by driver points or blind draw.

7.4.1.2. For the first Event of the season, pit locations shall be selected based upon prior season ending Entrant point standings. INDYCAR shall determine an Entrant or Entry's eligibility. Entries without points shall be ranked at the end by blind draw, or date that entry was received.

7.4.1.3. If qualifications do not occur at a prior similarly configured Race venue, pit locations for the subsequent similarly configured Race venue shall be selected based upon the starting positions established at the prior Race Event pursuant to Rule 8.1.6.

7.4.2. Indianapolis 500 Mile Race Event:

7.4.2.1. Practice - Pit locations shall be selected by an Entry based upon the Entry's position in the current Entrant point standings. A Team shall average all combinations of its Entries so as to group them together in pit lane. If a team with points has an entry for Indy only without points, this entry will not be calculated into the average. INDYCAR shall determine an Entrant or Entry's eligibility. Entries without points shall be ranked at the end of the point standings by date of Entry receipt.

Pit Selection shall be conducted in the N1 Office on Wednesday May 9th at 10:00 AM. INDYCAR shall assign a pit location for any Entry not represented at the designated pit selection time and place. Following the conclusion of practice on Friday, May 18th, an Entry's pit equipment must be moved from the Practice pit location to the qualifications pit location.

7.4.2.2. Qualifications – Pit locations shall be assigned by INDYCAR based upon the position of the Entry's primary Car in the initial qualifications draw. The pit location for the first primary Car will be the first pit north of Gasoline Alley and continue north through the selection order. Three Cars will be assigned to two pits. A Team shall not have the option to average its Entries. The pit locations will be distributed after the draw is completed, and Entrants may move their pit equipment to their qualifications pits at that time. The same pit assignments will be in place for Pole Day and Bump Day.

7.4.2.3. Carburetion Day/Race Day - Pit locations shall be selected by an Entry based upon the Entry's qualifications speed (in the case of Pole Day, only times used in Segment One shall be used) at the close of qualifications on Bump Day. A Team shall have the option to average any combination of its Entries so as to group them together in pit lane. INDYCAR shall determine the time and place for the pit selection. INDYCAR shall assign a pit location for any Entry not represented at the designated pit selection time and place. After the close of Qualifications on Sunday, May 20th, an Entry's pit equipment must be moved from the Qualification pit location to the garage area until notice from Officials to move to their designated pit for Race Day.

7.5. Pit Equipment

7.5.1. All Cars must be centered in their assigned pits. The outer point of the inside rear tire must not exceed a maximum of four feet (48 inches) from the front face of the pit wall. The Car must be parallel to the pit wall.

7.5.2. All nitrogen bottles must be securely fastened and have a cage device or other container approved by Officials to protect all valves and regulators. All nitrogen

bottles must be returned to the designated location at the conclusion of each Event.

7.5.3. Equipment and tires on the Track side of pit wall must be attended by a crew member at all times. The outside front tire changer must have his/her foot on the tire until the Car enters the pit.

7.6. Pit Personnel

7.6.1. No individual shall stand or sit on the pit wall.

7.6.2. For each Car, a maximum of six crew members plus the Driver are permitted on the Track side of the pit wall at any one time when the Car is making a pit stop. They may assume their positions immediately before the Car arrives.

7.6.3. Except during a pit stop, no personnel or pit equipment, including tires, may be on the Track side of the pit wall.

7.6.4. Except as otherwise provided by the Rules, all personnel and equipment must remain within the assigned pit.

7.7. Pit Access - Cars will not be permitted to enter or exit the garage area under their own power. They must be pushed or towed with a Member in the Car who is able to access the brake pedal at all times.

7.8. Pit Procedures

7.8.1. A speed limit will be enforced during Events within the pit lane areas defined by painted lines, cones and/or other visible markings. The pit speed limit, not to exceed 60 mph, will be announced prior to the first practice session.

7.8.2. A Driver who passes the Driver's assigned pit by more than one pit must continue around the Track and stop on the next available lap.

7.8.3. A Car may not be pushed more than two pits beyond its assigned pit during a Race.

7.8.4. Fueling with the aid of pumps or open containers is not permitted. Only fuel from the pit fuel storage tank may be added to the Car.

7.8.5. During practice fuel may only be added through the practice dry-break vent system. The Engine must be shut off during any practice refueling. A crew member must man fire equipment during any refueling.

7.8.6. The use of the fuel probe without flowing fuel during practice sessions is permitted in accordance with Rule 7.8.5.

7.9. Pit Penalties – The following matters and any others which may be determined by the Race Director are cause for a Car to be penalized:

7.9.1. Failing to follow designated procedures entering or exiting the pit area, including the acceleration and deceleration lanes;

7.9.2. Leaving the assigned pit with air hoses, fuel hoses, tools or other equipment attached to or hanging from the Car;

7.9.3. Car passing over or under any air line or hose or any other equipment;

7.9.4. Car contact with pit equipment outside of standard pit stop procedures;

7.9.5. Contact with another Car;

7.9.6. Contact with personnel;

7.9.7. More than six crew members to be on the Track side of the pit wall during a Race;

7.9.8. Car entering a pit other than the Car's assigned pit.

7.9.9. Penalties for violations of this Rule include, but are not limited to, a black flag and/or exclusion from the Event. No such decisions may be protested or appealed.

7.10. Race Start

7.10.1. All Drivers must place their Cars in their respective positions on the parade and pace laps. If a Car experiences mechanical difficulty, the Car may return to its original starting grid position any time prior to the conclusion of the parade lap. After this time, the Car shall be moved to the rear of the starting grid. If more than one Car is so affected, the Race Director shall determine the order at the rear of the starting grid. The remaining Cars in the field must maintain their assigned positions unless otherwise instructed by Officials.

7.10.2. Cars dropping out on the parade or pace laps may be considered cause for delaying the start. Such Cars will be directed to the pit lane or another designated area and will be permitted to join the Race under the direction of Officials whenever their difficulty is corrected. Unless otherwise instructed, their first scored lap must begin at the starting line on the Racing Surface.

7.10.3. A Safety Car will be used to pace the field at the start of the Race. The Safety Car will have its flashing lights on during the parade and pace laps. At the appropriate time, the lights will be turned off, indicating intent to start the Race the next time across the starting line. The Safety Car will pull off into the designated location. The lap count may begin at the conclusion of the pace lap.

7.10.4. After the green condition is declared, all Drivers must maintain their relative positions until crossing the starting line. If a Driver improperly improves his/her position without cause prior to crossing the starting line, the Driver may be penalized. The imposition or non-imposition of a penalty may not be protested or appealed.

7.10.5. Upon the Race Director's declaration, all Cars must start a Road/Street Course Race on "wet tires". While changes may be made to the Cars on the grid to accommodate the "wet tires", the Entrant remains responsible for complying with post-Race technical inspection. After such a declaration has been made, Entrants may change to dry tires after taking the green flag on the race Track.

7.11. Race Restart

7.11.1. After a Yellow Condition

7.11.1.1. Prior to the restart, any Cars between the Safety Car and the Race leader will be waved by to join the rear of the field. Waved by Cars may pit. The Race Director may restart the Race prior to the waved by Cars having joined the rear of the field.

7.11.1.2. After the starter gives the "one (1) lap to go" signal and prior to the restart, Cars must line up in double file format. The leader will have column/lane selection for each restart. All other Cars must line up according to relative position on the Track. In the event of a restart near the end of the Race, the Race Director may decide to move lapped Cars to the rear of the field.

7.11.1.3. When the Track is clear for racing, the Safety Car will assist the field in preparing for a restart. At the appropriate time, the flashing lights will be turned off, indicating intent to restart. The leader is

required to maintain the pace lap speed until reaching a point designated by INDYCAR near the start/finish line when the leader shall accelerate smoothly back to racing speed and the green condition will then be declared. All Car(s) must maintain their respective Track position for the restart.

7.11.1.4. During the yellow condition, no Car may pass another Car unless:

7.11.1.4.1. The other Car is stopped on the Track or the Driver of the other Car has waved by all of the passing Cars in a safe location and promptly confirms such action by radio communication to Officials;

7.11.1.4.2. The other Car is not maintaining the pace lap speed; or

7.11.1.4.3. Either Car is in the pit lane boundaries.

7.11.1.5. The penalty for passing the Safety Car or another Car during a yellow condition without authorization by Officials shall be a black flag, lap(s) or such other penalty as Officials deem appropriate.

7.11.1.6. The Race Director shall determine the restart procedures as he deems appropriate. This includes when to give the proper passing signal, whether a proper passing signal has been given, whether to move lapped Cars to the rear of the field, whether the leader or any other Car fails to restart the Race as directed, and the type and timing of any penalty. All such decisions made by the Race Director may not be protested or appealed.

7.11.1.7. Indianapolis 500 Mile Race – All of the standard restart procedures shall apply with the following exceptions:

- a) Cars must line up in double file format on the backstretch “nose to tail”.
- b) The leader is required to maintain the pace lap speed until reaching a cone located on Driver’s right entering turn four.
- c) All Car(s) must maintain their respective Track positions for the restart, including without limitation not changing lanes, until the green condition is declared. After the green condition is declared, passing may occur.

7.11.2. After a Red Condition– All of the standard restart procedures shall apply with the following exceptions:

7.11.2.1. The Cars will be lined up in order beginning with the Race leader. The restart order of the remaining Cars will be determined by their physical sequence at the start/finish line during the last scored Race lap.

7.11.2.2. Notwithstanding Rule 7.10.2.1, the following reasons may be cause for a Car to be placed at the rear of the restart lineup:

- a) Cars involved in a crash during, or subsequent to, the last scored lap. The decision as to whether a Car has been involved in a crash may not be protested or appealed.
- b) Cars stopped on the Track, including the pits, during the last officially scored lap.
- c) Cars which undergo a change of Driver during the time the Race is stopped.
- d) The restart order of Cars placed at the rear of the lineup will be in order by total laps completed and sequence of completion.

7.11.2.3. Any laps being run under a yellow condition will be scored. Any Cars remaining in pit lane at the time of a restart may join the Race if approved to compete by Officials.

7.12. Hazardous Mechanical Conditions

7.12.1. Officials shall determine whether a Car involved in a crash or with a hazardous mechanical condition will be permitted to continue in the Event or must first return to the pit lane or the garage area for necessary repairs.

7.12.2. Officials shall determine how the Car is removed and where the Car is taken. INDYCAR is not responsible for payment, reimbursement, damage or loss to any Car as a result of such removal.

7.12.3. After any repairs have been completed by the Entrant's crew, the Car is subject to visual or other inspection by Officials prior to and/or during any further competition. If Officials determine that further repairs are warranted, the Entrant's crew must make those repairs before the Entrant's Car is permitted to return to competition.

7.12.3.1. Oval Events – Cars being repaired will not be permitted to return to the Race during the last 20 laps of the Race.

7.12.3.2. Road/Street Course Event - Cars being repaired will not be permitted to return to a Race during the last 15 minutes or lap equivalent of the Race as determined by INDYCAR.

7.12.4. Officials may approve or disapprove technical or structural changes between the Race start and the post-Race inspection due to contact or material or parts failure.

7.12.5. A Car may only receive on Track assistance as directed by INDYCAR.

7.12.6. These decisions of the Officials' are final and may not be protested or appealed.

7.13. Performance Standards – The Race Director may establish a performance standard which all Entries entered in an Event must achieve in order to participate in the Event. In general, Entries must perform within 105% of the Car posting the best time and demonstrate Car consistency, control/placement and interaction with other Cars on Track to the satisfaction of the Race Director. In general, the standard will be announced to all Competitors prior to the start of the first practice session and will not be raised after practice has started. However, INDYCAR may delay announcement of the standard until a later time based on the physical condition of the Track, safety and other considerations.

8

QUALIFICATIONS

8.1. All Events - This Rule 8.1 contains qualifications Rules for all Events.

8.1.1. Overview - Qualifications determines the eligibility and starting position of each Car desiring to participate in a Race by ranking the Car on the basis of its performance in qualifications.

8.1.2. Meeting – INDYCAR may hold a specific meeting prior to the start of qualifications. INDYCAR may designate the meetings as mandatory for some Members.

8.1.3. Starting Time / Delays/ Interruption and Suspension / Performance Standards

8.1.3.1. Starting Time - The Race Director shall determine the starting time for the qualifications period.

8.1.3.2. Delays - The Race Director may penalize any Member attempting to delay qualifications.

8.1.3.3. Interruption and Suspension

- a) **Interruption** - Qualifications may be interrupted by the commencement of a yellow or red condition. Qualifications is interrupted at the moment that the decision to interrupt is made.
- b) **Suspension** – INDYCAR may suspend qualifications for any reason.

- c) The decision to interrupt or suspend an attempt or qualifications (and reasons therefor) may not be protested or appealed.

8.1.4. Technical Inspection

8.1.4.1. Impound Area - Officials shall direct selected qualified Cars to a designated “impound area” to check for compliance. A maximum of two crew members per Car will be permitted in the “impound area”.

8.1.4.2. Cars – INDYCAR reserves the right to seal any component.

8.1.4.3. Fuel - A fuel sample may be taken from all Cars prior to and after the qualifications attempt.

8.1.4.4. Battery - An external battery may be connected to the Car when the Car is in the qualifying line.

8.1.4.5. Technical Violations - If a Car does not successfully complete post-qualifying technical inspection, INDYCAR will penalize the Car.

8.1.4.6. Qualified Cars - All Qualified Cars must remain on the grounds of the Event facility after qualifications unless otherwise permitted by INDYCAR.

8.1.5. Substitute Cars - If a Qualified Car is involved in a crash prior to the Race, INDYCAR may permit the Entrant to start a backup Car as indicated below:

- a) INDYCAR must approve any car substitution.
- b) The Driver must be approved by Officials in accordance with Rule 1.2.4.3.

c) Except during qualifications for the Indianapolis 500 Mile Race, INDYCAR will require the backup Car to start the Race at the rear of the field in accordance with Rule 8.1.6.7.

d) This decision is not subject to protest or appeal.

8.1.6. Starting Field

8.1.6.1. INDYCAR shall determine the size and configuration of the starting field for each Race. The size of the starting field shall be issued by INDYCAR bulletin. The configuration of the starting field may include Qualified and Non-Qualified Cars. The performance standard shall apply to all Cars at all times during an Event.

8.1.6.2. Except for those positions designated for provisional starting Cars and as otherwise provided by these Rules, the starting field shall be determined by best time rankings, from fastest to slowest, with the fastest qualifier occupying the pole position, followed by the second fastest qualifier, third fastest, etc., down through the slowest qualifier who has not been “bumped”.

8.1.6.3. In the event two or more Cars post identical official qualifications times, the Cars shall be ranked in the order in which the completed qualifications attempts occurred.

8.1.6.4. A Driver who has qualified a Car may not make an attempt to qualify a second Car unless the first Car has been withdrawn from the Event with permission of Officials or the first Car has been eliminated from the starting field.

8.1.6.5. INDYCAR shall determine whether the starting field shall include provisional starting Cars. INDYCAR shall announce such decision prior to

each Event. If provisional starting Cars are offered, the available starting positions shall be determined pursuant to Rule 8.1.6.3, and the provisional starting positions shall be determined pursuant to Rule 8.1.6. If provisional starting Cars are not offered, all starting positions shall be filled pursuant to Rule 8.1.6.3. Starting positions shall include penalties issued during qualifications and post-qualifications technical inspection.

8.1.6.6. If after qualifications and prior to the start of a Race an Entry has had its qualifications time, and/or original starting grid position disallowed, INDYCAR shall assign the Entry a revised starting grid position at the rear of the starting field based on the following order:

- a) Provisional starting Cars
- b) Alternate starting Cars
- c) Substitute Starting Car or Car/Engine combination
- d) Unapproved Engine change
- e) Technical violations
- f) Competition violation
- g) Substitute Starting Driver
- h) If more than one Entry is affected in one or more of the above categories, INDYCAR shall rank such Entries based upon Entrant points entering the Event.

8.1.7. Provisional Starting Cars (Except at the Indianapolis 500 Mile Race Event) - INDYCAR may offer up to a maximum of two provisional starting Cars at

each Event after the conclusion of qualifications among non-qualified Cars based on the following formula:

- 8.1.7.1.** The first provisional starting position will be assigned to the Entry driven by the 2011 IZOD IndyCar Series champion Driver.
- 8.1.7.2.** The next position will be assigned to the Entry driven by the 2010 IZOD IndyCar Series champion Driver.
- 8.1.7.3.** The next position will be assigned to the Entry driven by the 2011 Indianapolis 500 Mile Race champion Driver.
- 8.1.7.4.** The next position(s) will be assigned to the Entry driven by the highest-ranking Driver(s) in the current top 24 Drivers point standings prior to the current Event.
- 8.1.7.5.** The next position(s) will be assigned to the Leaders Circle Program Member(s) with the best practice lap time at the Event, provided the best lap time is an acceptable time as determined by INDYCAR.
- 8.1.7.6.** If the positions are not filled by provisions 1-5, then the positions will be filled by the Entry with the next best lap time posted during qualifications, provided the best lap time is an acceptable time as determined by INDYCAR.

8.1.8. Starting Field Determination

- 8.1.8.1. No Qualifications/Qualifications Not Completed** – With the exception of positions designated for provisional starting Cars, INDYCAR shall assign all starting positions as follows:

- a) At the First Event of the season the Entrants shall be ranked using the prior season's point standings. INDYCAR shall determine an Entrant's eligibility.
- b) Entrant point standing entering the Event.

8.1.8.2. Qualifications Completed/Open Positions - Qualifications have been completed, but all available starting positions have not been filled. With the exception of positions designated for provisional starting Cars, INDYCAR shall assign open starting positions based on the priority in Rule 8.1.8.1.

8.2. Oval Events— This Rule 8.2 contains qualifications Rules for Oval Events which are in addition to the Rules for all Events contained in Rule 8.1 to the extent not inconsistent with them. In the event of any inconsistency, this Rule 8.2 shall govern Oval Events.

8.2.1. Qualifications Order – INDYCAR shall determine the qualifications order by a blind draw. An Entrant's representative may only draw for a Car entered in the Event. If an Entrant does not have an authorized representative present at the drawing, Officials will draw for the Car.

8.2.2. Qualifications Line

8.2.2.1. Cars must be in the qualifications line at the technical inspection area at the following designated times before the beginning of qualifications:

30 minutes	First third of the line
15 minutes	Middle third of the line
Qualifications begin	Final third of the line

8.2.2.2. A Car reserves its position in the qualifications line as long as it remains in the designated position and proceeds with the qualifications attempt when signaled. The Official's decision of whether a Car is

in its designated position is not subject to protest or appeal.

8.2.2.3. While the Car is in the qualifications line, an Entrant's representatives may make front wing and tire pressure adjustments only (rear wing adjustments are also allowed at The Indianapolis 500 only). The Car must be moved as the qualifications line progresses. A Car must not leave the qualifications line without the approval of INDYCAR.

8.2.3. Technical Inspection

8.2.3.1. If a Car does not successfully complete pre-qualifying technical inspection as determined by INDYCAR, the Car shall forfeit its "guaranteed attempt" and may be listed at the rear of the starting field pursuant to Rule 8.1.6.7.

8.2.3.2. When a Car is presented for pre-qualifications technical inspection, it must be in the aerodynamic configuration in which it shall race, with the following exceptions:

- a) Fuel fillers and vents may be taped off or fitted with blanking covers;
- b) Flaps may be adjusted;
- c) Rear wing mainplane may be adjusted;
- d) Optional wickers may be changed, added or removed;
- e) Inlet shutters may be changed;
- f) Event-approved aerodynamic options.

8.2.3.3. Retracting the brake pistons into the caliper by any method is prohibited.

8.2.3.4. The Car must remain as presented at pre-qualifying technical inspection throughout the entire qualifications attempt unless otherwise approved by INDYCAR.

8.2.3.5. Only after a Car's qualifications attempt or post-qualifications technical inspection is completed, whichever occurs later, may any of the foregoing permitted changes be made. Mechanical adjustments within the scope of the regulations are permitted.

8.2.4. Declaration of Intent

8.2.4.1. A Car must be presented at the entrance of the "staging pit" when signaled to do so ("declaration of intent"). The Race Director shall signal a Driver when it is time for the Car to depart from the qualifications line to begin a qualifications attempt. Unless otherwise provided by Race Director, each Car must depart the qualifications line within 60 seconds of receiving the signal.

8.2.4.2. In order to make an official qualifications attempt, a Car must have been given the signal to depart from the qualifications line and have moved away with the Engine running prior to the end of the qualifications period.

8.2.4.3. A Car may not be pushed to start its Engine at the start of a qualifications attempt.

8.2.4.4. Warm-Up Laps - A Car shall be given two warm-up laps. The Race Director may add additional warm up laps as he deems appropriate.

8.2.5. Qualifications Attempt

8.2.5.1. Qualifications will be based on one individually timed attempt per Car. A qualifications attempt is the total of two consecutively timed laps.

8.2.5.2. Each Car will be permitted only one departure from the qualifications line to commence its qualifications attempt. A qualifications attempt may only be started and completed under the green condition.

8.2.5.3. All Cars in the qualifications order shall be given one “guaranteed attempt” to qualify. Notwithstanding the foregoing, the following matters and any others which may be determined by the Race Director are cause for a Car to forfeit its guaranteed qualifications attempt and to be listed at the rear of the starting grid in accordance with Rule 8.1.6.7

- a) A Car is not presented in the proper order at technical inspection at the designated time;
- b) A Car does not successfully complete technical inspection;
- c) A Car is not presented in the proper order at the staging pit;
- d) A Car fails to leave the staging pit within the designated time;
- e) A Car leaves the staging pit but fails to receive the green flag;
- f) A Car fails to receive the checkered flag.
- g) If more than one Car is so affected, the Cars shall be ranked according to Rule 8.1.6.7.

- 8.2.5.4.** If the field is full (except for those positions designated for provisional starting Cars), qualifications attempts may continue with the potential for the elimination of the slowest qualifier (“bumping”). When a subsequent qualifier completes a qualifications attempt at a better lap time, the slowest qualified Car is eliminated from the field, and the faster qualifier is inserted into the field based on best lap time ranking. This process continues until each Entrant has been given their guaranteed qualifications attempt.
- 8.2.5.5.** If the field is not full but the qualifications period has ended and each Car has received its guaranteed attempt, all Cars successfully completing qualifications attempts shall be “locked in” and the remaining available starting positions, except those designated for provisional starting Cars, shall be determined in accordance with Rule 8.1.6.7.
- 8.2.5.6.** If the qualifications period concludes before each Car has been given its “guaranteed attempt”, then qualifications shall resume at a time designated by the Race Director, if practicable. If the Race Director is unable to resume qualifications and allow each Car its guaranteed attempt, the entire starting field shall be determined in accordance with Rule 8.1.6.
- 8.2.5.7.** If Officials interrupt qualifications for reasons caused by a Driver or the Driver’s crew, the Driver’s Car shall forfeit its guaranteed qualifications attempt and may be listed at the rear of the starting grid in accordance with Rule 8.1.6.7. If the interruption is not due to the actions of the Driver or the Driver’s crew, the Car shall not be charged with its qualifications attempt and the Car may be permitted to return to its position at the front of the existing qualifications line and proceed with its guaranteed qualifications attempt.

8.2.5.8. If a Car has started its warm-up laps or its qualifications attempt before qualifications are suspended, the Car will not be charged with an attempt and will be returned to its position at the front of the existing qualifications line when qualifications resume. Officials shall preserve the qualifications line already established when qualifications resume. If Officials release a Car during a suspension, the Entrant is not required to keep its Car at the designated location during the suspension. Officials shall announce prior to resuming qualifications that all Cars are to be returned to the designated location. Any Entrant not returning an Entrant's Car to the designated location by the designated time shall forfeit the Entrant's guaranteed qualifications attempt and may be listed at the rear of the starting grid in accordance with Rule 8.1.6.7.

8.3. Road/Street Course Events - This Rule 8.3 contains qualifications Rules for Road/Street Course Events which are in addition to the Rules for all Events contained in Rule 8.1 to the extent not inconsistent with them. In the event of any inconsistency, this Rule 8.3 shall govern Road/Street Course Events.

8.3.1. Qualifications Groups

8.3.1.1. For Segment One only, qualifications shall be divided into two groups.

8.3.1.2. Qualifications groups shall be determined by the combined times posted by Entries during the practice sessions occurring at the Event on the day prior to qualifications. By way of example, the combined practice times from the Friday morning and afternoon sessions would determine Saturday qualifications groups. If no practice occurs on Friday,

the practice times from the Saturday morning session would determine Saturday qualifications groups.

8.3.1.3. INDYCAR shall rank the Entries in order of time with the Driver posting the best time ranking appearing in the first position and continuing through the rest of the field in order of increasing time. The Driver with the best time ranking shall determine the groups and notify the Race Director of his/her decision within 30 minutes following the conclusion of the final practice session that determines the qualifications groups.

8.3.1.3.1. If the Driver selects Group 1, Group 1 shall contain all Entries appearing in the odd numbered positions on the combined times ranking. Group 2 shall contain all Entries appearing in the even numbered positions on the combined times ranking.

8.3.1.3.2. If the Driver selects Group 2, Group 2 shall contain all Entries appearing in the odd numbered positions on the combined times ranking. Group 1 shall contain all Entries appearing in the even numbered positions on the combined times ranking.

8.3.2. Technical Inspection

8.3.2.1. When a Car is presented for pre-qualifications technical inspection, it must be in the aerodynamic configuration in which it shall race, with the following exceptions:

- a) Fuel fillers and vents may be taped off or fitted with blanking covers;
- b) Flaps may be adjusted;

- c) Optional wickers may be changed, added or removed;
- d) Brake ducts may be blanked off using tape or blanking panels; and
- e) Inlet shutters may be changed.

8.3.2.2. Entrants are permitted to make only the above aerodynamic adjustments between or during the qualifying segments. Mechanical adjustments within the scope of the regulations are permitted.

8.3.2.3. Entrants will be notified after qualifications whether to leave their qualified tires on their Cars for post-qualifications technical inspection.

8.3.3. Qualifications Attempt - Qualifications will be divided into three segments:

Segment One

8.3.3.1. All Cars shall participate in one of two groups for 15 minutes per group inclusive of full-course yellow conditions, with only the six Cars posting the best lap times from each group advancing to Segment Two.

8.3.3.2. Segment One shall determine positions 13 through the end of the starting field. Each group shall be ranked in order of best lap time as follows:

- a) Group 1 occupy the odd numbered positions beginning with position 13, and
- b) Group 2 occupy the even numbered positions beginning with position 14.

Segment Two

8.3.3.3. Segment Two shall consist of one 10-minute qualifying group inclusive of full course yellow conditions, with all times from Segment One having been voided. Only the six Cars posting the best lap times shall advance to Segment Three. This shall begin five minutes after the conclusion of Segment One as determined by INDYCAR.

8.3.3.4. Segment Two shall determine positions 7 – 12 to be ranked in order of time beginning with the Car posting the seventh best timed lap occupying the 7th position.

Segment Three

8.3.3.5. Segment Three shall consist of one 10 minute qualifying group, of which five minutes is guaranteed green condition time, with all times from Segment Two having been voided. Segment Three shall begin 10 minutes after the conclusion of Segment Two unless INDYCAR determines otherwise.

8.3.3.6. Segment Three shall determine positions 1 – 6 to be ranked in order of best lap time beginning with the Car posting the best timed lap occupying the pole position.

8.3.4. If a Car causes a red condition in any segment or otherwise interferes with qualifications as determined by the Race Director, the Car's best two timed laps of the segment shall be disallowed.

8.3.5. If a Car causes two red conditions in one or more segments or otherwise interferes with qualifications as determined by the Race Director, all segment times shall be voided, and the Car shall not be permitted to participate in the remainder of qualifying.

8.3.6. The pole sitter may elect to start from either front row position. The Driver must notify Race Director of this decision prior to the pre-Race Driver's meeting.

8.4. Indianapolis 500 Mile Race Event - This Rule 8.4 contains qualifications Rules for the Indianapolis 500 Mile Race Event which are in addition to the Rules for all Events and Oval Events contained in Rules 8.1 and 8.2 respectively to the extent not inconsistent with them. In the event of any inconsistency, this Rule 8.4 shall govern the Indianapolis 500 Mile Race Event.

8.4.1. Qualifications Order

8.4.1.1. There are two scheduled days of qualifications:

a) First qualifications day ("Pole Day") and

b) Second qualifications day ("Bump Day").

8.4.1.2. INDYCAR shall conduct a blind draw of all entered Cars on the Coca Cola Stage at 6:15 p.m. on Friday, May 18th, to determine the order in which the Cars shall make their initial qualifying attempts for Segment One on Pole Day.

8.4.1.3. INDYCAR shall conduct a blind draw of all entered Cars at 6:15 p.m. on Saturday, May 19th, at N1 to determine the order in which the Cars shall make their qualifying attempts for Bump Day. Cars in the qualifications line when Segment One ends on Pole Day shall not be given priority in the order.

8.4.1.4. The pre-qualifications practice on Bump Day shall be open to any entered Car (the practice session is not restricted to unqualified Cars only).

8.4.2. Technical Inspection

8.4.2.1. To be properly presented at the start of either qualifications day, the Cars in the qualifications order must be fueled and in line at the technical inspection area as follows:

<u>Pole Day</u>	<u>Bump Day</u>
10:15 a.m.	11:30 a.m. First 5 Cars in draw
10:30 a.m.	11:45 a.m. Remaining first ½ of Cars in draw
11:00 a.m.	12:00 p.m. Remaining Cars in draw

8.4.2.2. Once the Car successfully completes the technical inspection process, INDYCAR shall issue the Car an inspection sticker indicating the Car is eligible to make a qualifications attempt on that specific qualification day. The Car may make a qualifications attempt during the specific qualification day without having to return to the technical inspection area, if the Car displays the sticker. Each qualification day will have a unique sticker.

8.4.2.3. Only Entrants participating in a qualifications attempt may obtain fuel from the qualifying fuel tanks located in pit lane. Entrants participating in practice must obtain fuel from one of the other fuel tanks located in the pit lane.

8.4.2.4. If a Car has had its qualifications time voided or has been bumped from the field, an Entrant may make a subsequent qualifications attempt with the Car, provided the Entrant's representatives present the Car at the designated area in pit lane prior to making a qualifications attempt, subject to the maximum number of attempts.

8.4.2.5. When a Car is presented for pre-qualifications technical inspection, it must be in the aerodynamic configuration in which it shall race, with the following exceptions:

- a) Fuel fillers and vents may be taped off or fitted with blanking covers;
- b) Rear wing adjuster may be added;
- c) Optional wickers may be changed, added or removed;
- d) Inlet shutters may be changed;
- e) Event-approved aerodynamic options.

8.4.2.6. The Car must remain as presented at pre-qualifying technical inspection throughout the entire qualifications attempt unless otherwise approved by INDYCAR.

8.4.2.2. Only after a Car's post-qualifications technical inspection is completed may the foregoing permitted changes be made. Mechanical adjustments within the scope of the regulations are permitted.

8.4.2.6.1. Pole Day: The approved changes may be made to qualified Cars after they have completed post-qualifying technical inspection at the end of Segment One and during Segment Two.

8.4.2.6.2. Bump Day: The approved changes may be made to qualified Cars after they have completed post-qualifying technical inspection.

8.4.3. Declaration of Intent - A Car must be presented in pit lane at the designated area. When instructed, the Car will move directly south into the staging area. When signaled by Officials, the Car will move to the "head of

the qualifying line” and wait until signaled to leave pit lane to begin a qualifying attempt. As the qualifications session or a segment ends, a Car may begin its qualifications attempt, provided it has received the signal and is moving with its Engine running. The Car is not required to have completed its attempt prior the end of the qualifications session or segment.

8.4.4. Warm up Laps - An Entrant will be given both green and yellow flags to use at the north end of the outer pit wall to signal the Entrant’s Car. The Entrant must display the green flag to start a qualifications attempt prior to the Car completing its last warm-up lap. Display of no flag or a yellow flag does not begin a qualifications attempt.

8.4.5. Qualifications Attempt

8.4.5.1. A completed qualifications attempt shall consist of four consecutively-timed laps.

8.4.5.2. The following matters and any others that may be determined by the Race Director are cause for a Car to not be charged with a qualifications attempt, but in such case the Car shall return immediately to the pit lane:

- a) A Car does not complete its last warm-up lap.
- b) The green flag is not displayed by the end of the last warm-up lap; or
- c) The yellow flag is displayed instead of the green flag.

8.4.5.3. INDYCAR or an Entrant may terminate a qualifications attempt before completion upon display of a yellow flag at any time prior to the point where the Car crosses the start/finish line at the conclusion of the fourth consecutively timed lap. The

Car will be charged with an attempt and must return immediately to the pit lane.

8.4.5.4. Once each Car in the Segment One qualifications line has received its one guaranteed attempt, a “break in the line” occurs. If the “break in the line” occurs before the time allotted for Segment One has expired, Cars may continue to make qualifications attempts subject to the maximum number of attempts and these Rules until the time allotted for Segment One has expired.

8.4.6. Starting Field - The starting field shall be comprised of the 33 Cars (or such other number as INDYCAR shall determine) posting the best four consecutively timed laps.

8.4.7. Pole Day Qualifications - Qualifications shall consist of two segments and determine the first 24 starting positions ranked in order of time with the qualifier posting the best four consecutively timed laps in Segment Two occupying the pole position.

Segment One (11:00 a.m. – 4:00 p.m.)

8.4.7.1. Each Car participating in the pre-qualifications draw is guaranteed one qualifications attempt, provided it is properly and timely presented.

8.4.7.2. A maximum of three qualifications attempts per Car shall be permitted in Segment One, regardless of whether or not an attempt is run to completion.

8.4.7.3. A Car/Driver combination that has been bumped from one of the available positions may continue to make qualifications attempts, providing the Car/Driver combination has any remaining attempts available.

8.4.7.4. If a Car/Driver combination is currently in the starting field but wishes to make an attempt, the Entrant's representative must first withdraw the Car's qualifications time.

8.4.7.5. At the conclusion of Segment One:

- a) The 9 Cars posting the best four-consecutively timed laps shall advance to Segment Two, provided they successfully complete technical inspection.
- b) The qualification order for Segment Two shall be determined by the times posted in Segment One. Cars shall be ranked in reverse order of time with the Car posting the best time being ranked in position 9.
- c) The Cars posting the 10th through 24th best four-consecutively timed laps shall be ranked in order of time beginning with the best time in position 10, and
- d) All remaining Cars posting four-consecutively timed laps shall not be ranked and their times shall be voided.

8.4.7.6. Segment Two (4:30 p.m. – 6:00 p.m.)

8.4.7.6.1. The qualification order for Segment Two shall be determined by the times posted in Segment One. Cars shall be ranked in reverse order of time with the Car posting the best time being ranked in position 9.

8.4.7.6.2. All Cars advancing from Segment One are required to make one qualification attempt in Segment Two.

8.4.7.6.3. Each of the 9 Cars advancing from Segment One is guaranteed one qualifications attempt, provided it is properly and timely presented. Each Car shall receive one set of tires for use in this required attempt in Segment Two.

8.4.7.6.4. After each Car has completed its required attempt, each Car must return to its assigned pit box. Each of the Cars will be assigned a technical Official. All Cars shall be permitted to make additional qualifications attempts until the time allotted for Segment Two has expired. The Entrant's representative is not required to withdraw the Car's first Segment Two qualifications time in order to make an additional qualifications attempt. When no attempt is in progress, the track shall be open for practice for the top 9 Cars only. If a Car makes an attempt during the remainder of Segment Two, it shall receive a second set of tires. If the Car leaves pit lane for any reason, it must proceed immediately to post qualifying technical inspection and may not make any additional qualifications attempts. If unapproved modifications are made to the Car, the Car's Segment Two qualifications time shall be voided. At the end of Segment Two, the 9 Cars shall be ranked in order of time beginning with the Car with the best time in position 1.

8.4.7.6.5. In order to receive any additional replacement sets of tires, the original sets of tires must actually be used in Segment Two and returned at the conclusion of Segment Two.

8.4.7.6.6. Except as otherwise provided, the same Car must be used in the two segments.

8.4.7.6.7. If a qualified Car is involved in a crash in Segment Two, the Entrant may replace the qualified Car with another Car and start the Race

in the qualified Car's position. If a qualified Car is unable to start the Race for any other reason, INDYCAR shall determine if the Entrant is permitted to replace the qualified Car with another Car and start the Race in the qualified Car's position or if the Entrant is required to start the Race from the rear of the starting field.

8.4.7.7. Bump Day Qualifications – Qualifications shall determine starting positions 25 through 33 ranked in order of time with the Car posting the best four-consecutively timed lap of the day occupying the 25th position.

8.4.7.7.1. A maximum of three qualifications attempts per Car shall be permitted, regardless of whether or not an attempt is run to completion.

8.4.7.7.2. When the field is full and a Bump Day qualifier posts a faster four-consecutively timed lap qualifications attempt than the qualified Car with the slower qualifications time with the exception of the top 9 qualifiers on Pole Day, the slower Car is eliminated from the field, regardless of the day on which it qualified. If the slower qualifier recorded his/her time on Pole Day, then the faster qualifier from Bump Day will advance from 25th starting position to 24th starting position and each of the subsequent qualifiers will move up one position, with the latest qualifier being inserted within the time rankings of Bump Day.

8.4.7.7.3. A Car/Driver combination that has been bumped from one of the available positions may continue to make qualifications attempts, providing the Car/Driver combination has any remaining attempts available.

8.4.7.7.4. If a Car/Driver combination is currently in the starting field but wishes to make an attempt, the Entrant's representative must withdraw the Car's qualifications time.

8.4.7.8. Post-Qualifications Photographs

8.4.7.8.1. After a Car has completed its initial qualifications attempt, the Driver and Car must proceed to the designated photograph area to take the qualifications photograph. Beginning at 2:30 p.m. on Pole Day, INDYCAR shall permit an Entrant to delay the post qualifications photograph until the end of qualifications.

8.4.7.8.2. Each Driver/Car qualifications photograph is permitted a maximum of 10 minutes.

8.4.7.8.3. During the 10 minute photograph time, a Driver and crew must wear the designated hats in the assigned order. If there is time permitting, other hats may be worn. If there is not time permitting, then the Entrant must make arrangements to schedule an alternate time to take additional photographs.

8.4.7.8.4. For each subsequent qualifications attempt, a Driver and Car are not required to proceed to the photograph area for a duplicate set of photographs.

8.4.7.8.5. After the photographs are completed, the Car will return to the technical inspection area for post-qualification technical inspection.

8.4.7.9. Alternate Procedures

8.4.7.9.1. If the time allotted for qualifications has expired on Pole Day without *any* Car in the

Segment One qualifications order having been given its guaranteed attempt (e.g., complete rainout of Segment One), INDYCAR shall determine the revised qualifications procedure. This may include without limitation all Cars qualifying on Bump Day without any segments.

8.4.7.9.2. If the time allotted for qualifications has expired on Pole Day without *each* Car in the Segment One qualifications order having been given its guaranteed attempt (e.g., partial rainout of Segment One), Pole Day qualifications shall continue on Bump Day until Segment One is completed and Segment Two shall be cancelled. The 9 Cars posting the best four-consecutively timed laps shall be ranked in order of time with the Car posting the best time in the first position.

8.4.7.9.3. If the time allotted for qualifications has expired on Pole Day without *any* Car in the Segment Two qualifications order having been given its guaranteed attempt (e.g., complete rainout of Segment Two), INDYCAR shall cancel Segment Two, and the 9 Cars are ranked in order of times posted in Segment One. No Cars shall receive the additional set of tires.

8.4.7.9.4. If the time allotted for qualifications has expired on Pole Day without *each* Car in the Segment Two qualifications order having been given its guaranteed attempt (e.g., partial rainout of Segment Two), INDYCAR shall cancel Segment Two, rank the 9 Cars in order of times posted in Segment One. Only those Cars having made the required attempt shall receive the set of tires.

8.4.7.9.5. Any Car not able to begin or complete a required attempt in Segment Two due to a crash

(e.g., during practice after the completion of Segment One and/or during a required qualification attempt in Segment Two) shall be ranked at the rear of the top 9 in order of times posted by such Cars in Segment One. Only those Cars having made the required attempt shall receive the set of tires.

8.4.7.9.6. If Segment Two is interrupted or suspended after each Car has made its required attempt, INDYCAR shall use the times posted at the time the interruption or suspension is declared because no withdrawal of time is required and only those Cars having made additional attempts after the required attempt shall receive the second set of tires.

8.4.7.9.7. In order to receive any additional replacement sets of tires, the original sets of tires must actually be used in Segment Two and returned at the conclusion of Segment Two.

8.4.7.10. Special Session - In the event the qualifications period ends on Sunday, May 20th with fewer than 33 Cars qualified for the Race after the break in the line, all Cars having met the qualifications requirements shall be locked in and cannot be bumped. INDYCAR shall fill the balance of the field by the fastest qualifiers of a Special Session, with the only bumping taking place amongst the qualifiers participating in the Special Session. The following procedure shall apply to the Special Session:

- a) An Entrant who wishes to secure a spot in the qualifications order for the Special Session must have a representative present at 6:15 p.m. on Sunday May 20th at N1 to draw for a qualifications position.

- b) The Special Session shall take place on the next available day, weather permitting, prior to Carburetion Day and will consist of a 30-minute practice session, followed by one qualifications attempt for each Car. Any Car not presented and starting its qualifications attempt when directed to do so by INDYCAR or not taking the green flag will forfeit its attempt. The remainder of the field will be filled based on qualifications time during the Special Session. If the Special Session does not fill the field, INDYCAR will fill the field.

- c) In the event INDYCAR determines that this procedure will interfere with the preparations for the Race, either due to weather or otherwise, INDYCAR may forego the Special Session and fill the field in accordance with Rule 8.1.6.

8.4.7.11. Post-Qualifications Technical Inspection

8.4.7.11.1. On Pole Day, INDYCAR shall institute a voluntary impound area in pit lane. A Car may only proceed to the voluntary impound area upon receiving approval from INDYCAR. In lieu of permitting a Car to proceed to the voluntary impound area, INDYCAR may assign an Official to remain with the Car.

8.4.7.11.2. Each Entrant must have in its immediate possession the following tools for post-qualifying and post-Race:

- a) Tools to remove body work;
- b) Tools to remove the top of the airbox;
- c) Tools to remove tires;
- d) Tools to remove refueling receptacles;

e) Nitrogen for Wheel guns, Air jacks.

8.4.7.11.3. INDYCAR shall determine the order of post-qualifying inspection. One consideration is the qualification speed of the Cars and the likelihood a Car may be bumped from the field.

8.4.7.11.4. INDYCAR reserves the right to perform such other inspection procedures, including full engine inspection, at any time as it deems appropriate.

8.4.7.11.5. Entrants may download data from the Car at any time after receiving the checkered flag.

9 PENALTIES

9.1. General – The Race Director may penalize any Member for any violation of the Rules. If an Official observes or is made aware of an act or omission by a Member that constitutes a violation of the Rules and if the Official determines that the act or omission is sufficiently serious to warrant the imposition of a penalty, the Official shall promptly report the violation to the Race Director. The Race Director shall consider the report and shall conduct whatever additional inquiry he deems appropriate under the circumstances. After concluding the inquiry, the Race Director shall determine whether disciplinary action is appropriate, and if so, what disciplinary action should be taken. The Member shall be informed of the determination, and if disciplinary action is imposed, the Race Director shall issue a Penalty Notice to the Member specifying the violation, a brief statement of the circumstances of the violation, and the penalty imposed. If the act or omission of a Member is determined by the Race Director to constitute a threat to the integrity of INDYCAR, the IZOD IndyCar Series or to the orderly conduct of an Event or to constitute a violation during an Event, the Race Director may take immediate action against the Member.

9.2. Scope of Penalties - Penalties for violations of the Rules are divided into two categories: Race Procedure Penalties and Non Race Procedure Penalties. Regardless of the category, penalties are determined by the gravity of the violation and its effects on fairness of competition, the orderly conduct of the Event, and the interests and integrity of automobile racing, INDYCAR, and the IZOD IndyCar Series. The Race Director shall have the authority to impose any or all or any

combination of the following penalties against any Member for any violations of the Rules at any time:

9.2.1. Race Procedure Penalties are a result of on Track conduct and are generally imposed during on Track activity. If circumstances do not permit, Race Director shall determine the timing of the penalty as he deems appropriate. If the imposition of a penalty is near or at the end of the on Track activity and the Driver/Car does not fulfill it, the Race Director may reposition the Driver/Car in the posting of results or apply the penalty to a subsequent on Track activity to reflect the fulfillment of the penalty. The penalty including without limitation any repositioning in a posting is nonprotestable and/or appealable.

9.2.1.1. Black Flag - The Race Director may impose black flag penalties.

9.2.1.2. Laps - The Race Director may impose lap penalties. Lap penalties shall be imposed in complete laps only. The imposition of a lap penalty shall result in the removal of official credit for the specified number of penalty laps from the total laps credited to the Competitor, and the scoring records and all points and awards shall reflect the removals.

9.2.1.2.1. If the lap penalty is imposed during the on Track activity, the removal of official credit shall begin with the Competitor's lap in which the violation occurred and shall include subsequent consecutive laps, as required.

9.2.1.2.2. If the lap penalty is imposed after the on Track activity is completed, the Race Director shall determine, based on the severity of the violation, whether the removal of official credit shall begin with the Competitor's last lap and include previous consecutive laps as required, or

begin with the Competitor's lap in which the violation occurred.

9.2.1.2.3. The Race Director shall make a reasonable effort to notify the penalized Competitor of a lap penalty at the time it is determined. However, failure to notify the Competitor during the on Track activity will in no way mitigate or change the penalty.

9.2.1.3. Time – The Race Director may impose time penalties. The time penalty is the loss of time to participate in on Track activity including but not limited to Open or private Test, practice session or qualifications period. The time penalty must be fulfilled when directed. The time penalty begins when the Member, the Member's Car and Entrant personnel are in pit lane.

9.2.1.4. Disqualification - The Race Director may impose a sentence of disqualification. A sentence of disqualification shall entail the loss of any right to compete in the remainder of the current Event from the time at which the disqualifying condition first occurred. It may entail the forfeiture of Entry fees paid or payable, and the Race Director shall determine, based on the severity of the violation, whether or not the sentence includes the forfeiture of points and awards earned up to the moment at which time the infraction for the disqualification first occurs.

9.2.1.5. Non Race Procedure Penalties are a result of on or off Track conduct, but they are typically not imposed during on Track activity. They are protestable and/or appealable unless otherwise noted.

9.2.1.5.1. Additional Appearances and/or Meetings – In lieu of a monetary fine, the Race Director may require a Member to participate in

appearances and/or meetings in addition to those required of other Members pursuant to the Rules and any other agreements. The Race Director may specify the due date for completion. Failure to participate may result in reinstatement of the monetary fine.

9.2.1.5.2. Monetary Fines - The Race Director may issue monetary fines and specify the due date for payment. Unpaid fines may be deducted from any awards including without limitation TEAM award payments payable by INDYCAR to the Entrant or Manufacturer associated with such Member either before or after the specified due date. The Race Director may suspend or refuse to approve the renewal of the License and/or membership of any Member failing to timely pay any fine during the period the fine remains unpaid.

9.2.1.5.3. Probation - The Race Director may place a Member on probation. Probation is a state of limitation upon a Member's privileges usually following an act or omission occurring before or during membership which calls into question the Member's willingness or ability to abide by standards required for membership. The purpose of probation is to establish a process to allow a Member to prove, by the Member's conduct, that the standards of membership are understood and will be honored at all times. During probation, a Member is under heightened scrutiny and the Member can be required to abide by specified standards of conduct that are more stringent than those which are otherwise applicable. If a Member violates probation, the Member is subject to a more severe penalty. The Race Director shall determine the duration and conditions of probation.

9.2.1.5.4. Suspension - The Race Director may impose a sentence of suspension. A suspension may be total or it may be limited to a suspension of membership or License privileges at a particular facility or facilities, or for a particular series of Events, or for a specified or indefinite period of time. Unless expressly limited, a sentence of suspension shall entail the loss of any right to take part in any capacity whatsoever in any Event. Unless otherwise stated, individuals under sentence of suspension will not be issued credentials of any kind for an Event and the privileges and uses of the Track, pit area, and the garage area will be denied. Every suspended individual shall return all credentials and/or Licenses to the Race Director who will not return them until the term of the suspension has expired. Any delay in surrendering the credentials and/or Licenses shall be added to the term of the suspension. If the suspended individual does not return the credentials and/or Licenses, the credentials and/or Licenses shall be inoperative and invalid until the lifting of the suspension. Suspension may also render void any previous Entry made for any Event occurring during the term of such suspension and may entail the forfeiture of any applicable Entry fees paid or payable for any such Entries. The Race Director shall have the right to reduce, increase or otherwise modify the unexpired term of a sentence of suspension pronounced under the Rules.

9.2.1.5.5. Loss of Points and/or Awards – The Race Director may Rule that a Member who violates the Rules will forfeit all or a portion of the points and/or awards earned in that year, including points and awards earned in the Event in which the violation occurred.

9.3. Additional Provisions and Guidelines

9.3.1. Improper Conduct - Any Member attempting to or engaging in unsportsmanlike conduct or conduct detrimental to racing, INDYCAR, and/or to the IZOD IndyCar Series, whether during an Event or on/off the Track, may be subject to any or all penalties. Improper conduct shall include without limitation:

9.3.1.1. engaging in reckless, careless, and overly aggressive actions or unsportsmanlike behavior toward other Members,

9.3.1.2. impeding the conduct of an Event, including Car control, placement and inconsistent driving pattern,

9.3.1.3. causing an avoidable yellow or red condition,

9.3.1.4. endangering the safety of Competitors,

9.3.1.5. failing to participate at competitive speed,

9.3.1.6. failing to participate in close proximity to other Cars,

9.3.1.7. failing to follow the direction of Officials, and

9.3.1.8. using improper, profane or disparaging language or gestures in reference to Officials, Members or actions or situations connected in any way with INDYCAR, the IZOD IndyCar Series or any Event.

9.3.2. Blocking – A Driver must not alter his/her racing line based on the actions of pursuing Drivers or use an abnormal racing line to inhibit or prevent passing. Blocking will result in a minimum of a black flag “drive through” penalty.

9.3.3. Avoidable Contact – A Competitor must not initiate or attempt to initiate avoidable contact that results in the interruption of another Competitor’s lap time or Track position.

9.3.4. Team Tactics and/or Orders – Team tactics and/or orders on the Track are prohibited. If the Race Director determines one or more Members of a Team attempted to or engaged in team tactics or orders, the Race Director may issue a black flag penalty to any or all of the Team’s Car/Driver combinations in addition to other penalties.

9.3.5. Assault or Battery - If any Member shall commit an assault or battery during or in connection with an Event, such Member may be disqualified and/or suspended by the Race Director and may be subject to additional penalties.

9.3.6. Gambling on Events - Applicants and Members shall not engage, nor attempt to engage, in any gambling activity (as defined below) relating to any event, or any portion of an event, (i) in which INDYCAR is involved, including, but not limited to, IZOD IndyCar Series, Firestone Indy Lights, Star Mazda Championship and/or USF2000 National Championship events, or (ii) that in the judgment of INDYCAR could represent the potential for a conflict of interest, unsportsmanlike conduct or conduct detrimental to racing, INDYCAR or its affiliates. This Rule applies to all gambling activities including, but not limited to, those available in any gaming facility, casino, lottery gaming facility, racetrack gaming facility, or on the internet or electronically, or in all other establishments and locations. Gambling activity, for purposes of the above, is defined as placing anything of value at risk, whether monetary or otherwise, in connection with a bet, wager, or game of chance. If an Applicant or Member wishes to participate in any gambling activity associated with or related to INDYCAR or its affiliates (for example, a celebrity

blackjack tournament) he/she may do so only if he/she has received the prior written authorization of INDYCAR. Such authorization, if granted, will be limited to the extent authorized by of INDYCAR.

9.3.7. Personal Criticism of Officials – If any Member uses improper, profane or disparaging language or gestures and in references to a specific Official by his/her name, such Member may be fined a minimum of \$25,000 and may be subject to additional penalties based upon the particular circumstances.

10

CHAMPIONSHIP, POINTS AND POINT FUND

10.1. Championships and Point Standings - INDYCAR recognizes several different types of championships, including Entrant, Driver, Oval and Road/Street Course. To facilitate competition for these championships, INDYCAR calculates and publicizes complete rankings of all participating Entrants and Drivers following the completion of each Race. Unless otherwise announced by INDYCAR, all scheduled qualifications and Races shall offer championship points.

10.2. Significance of the Car Number – Points and awards including without limitation TEAM award payments are credited only to the Entrant entered in the Event and to the Driver starting in that Car except as otherwise permitted by INDYCAR. The Car number is listed on the Entry and signifies the Car to be credited. The points and awards including without limitation TEAM award payments accumulate on behalf of the Entrant's License for that Car number, separately from any other Entrant's License that Team may hold.

10.3. Crediting of Points - INDYCAR has established the following system under which eligible Entrants and Drivers may accumulate points.

10.3.1. Entrant points will be credited only to an Entrant holding a valid Entrant's License at the time of the Event, competing with a properly entered Car and displaying the assigned Car number throughout any Event.

10.3.2. Driver points will be credited only to Drivers holding a valid Driver License at the time of the Event.

10.3.3. In the event the starting Driver receives relief during a Race, the starting Driver and the Entrant will receive the points for that Car for the Race. The Relief Driver will not receive any points for driving that Car.

10.3.4. INDYCAR will not credit the one point usually earned by the Entrant and Driver starting a Race in the pole position if the starting field is determined in accordance with Rule 8.1.8.

10.3.5. If a Car participates in practice and/or qualifications but is unable to start a Race, the Driver and/or the Entrant shall receive half of the points the Car would have received for the Race had the Car started the Race (“non-starting Cars”). INDYCAR shall determine whether a Car is deemed to have participated for purposes of this Rule 10.3.5.

10.3.6. Qualified and Non-Qualified Cars shall be eligible for Entrant and Driver points associated with participation in an Event.

10.4. Ties

10.4.1. At the close of the season, the Entrant and Driver with the highest number of ranking points respectively shall be declared the Champion. In the case of a tie in the championship, INDYCAR will determine the champion based on the most first place finishes. If there is still a tie, INDYCAR will determine the champion by the most second place finishes, then the most third place finishes, etc., until a champion is determined.

10.4.2. INDYCAR will apply the same system to other ties in the rankings at the close of the season and at any other time during the season.

10.5. End of Season Points Fund - INDYCAR reserves the right to establish an end of season points fund.

10.6. Points – Points may be earned by Entrants and Drivers based upon participation in Races and Qualifications.

10.6.1. Races – INDYCAR will award points pursuant to finishing position as follows:

<u>Race Finish Pts.</u>	<u>Race Finish Pts.</u>	<u>Race Finish Pts.</u>
1.....50	12.....18	23.....12
2.....40	13.....17	24.....12
3.....35	14.....16	25.....10
4.....32	15.....15	26.....10
5.....30	16.....14	27.....10
6.....28	17.....13	28.....10
7.....26	18.....12	29.....10
8.....24	19.....12	30.....10
9.....22	20.....12	31.....10
10.....20	21.....12	32.....10
11.....19	22.....12	33.....10

Most Laps Led: 2

10.6.2. Qualifications

10.6.2.1. Indianapolis 500® Mile Race - INDYCAR shall award points pursuant to qualifications results as follows:

<u>Qual. Pos. Pts.</u>	<u>Qual. Pos. Pts.</u>	<u>Qual. Pos. Pts.</u>
1.....15	12.....4	23.....4
2.....13	13.....4	24.....4
3.....12	14.....4	25.....3
4.....11	15.....4	26.....3
5.....10	16.....4	27.....3
6.....9	17.....4	28.....3
7.....8	18.....4	29.....3
8.....7	19.....4	30.....3
9.....6	20.....4	31.....3
10.....4	21.....4	32.....3
11.....4	22.....4	33.....3

10.6.2.2. All Other Events - INDYCAR shall award one point to the Entrant and Driver qualifying for the pole position.

10.6.3. Engine Manufacturer Championship Points - Points are awarded on a Race by Race basis and added throughout the season based on the following system:

- a) First place car earns the Engine Manufacturer 9 points.
- b) The second highest placing Engine Manufacturer receives 6 points.
- c) The third highest placing Engine Manufacturer receives 4 points.

11 AWARDS

11.1. Approval - The distribution of all awards including without limitation TEAM award payments must be approved by INDYCAR.

11.2. Awards

11.2.1. INDYCAR shall determine the eligibility, nature and amount of all awards including without limitation TEAM award payments for:

11.2.1.1. each Event, and

11.2.1.2. end of season.

11.2.2. Event Awards shall consist of the following:

11.2.2.1. Basic Awards – Awards are determined by the Entrant’s status in the Leaders Circle program.

11.2.2.2. Race Bonuses – Awards are determined by performance in Race Events:

Indianapolis 500 Mile Race

Finishing Position	Amount
1	\$1,925,000
2	\$ 700,000
3	\$ 325,000
4	\$ 125,000
5	\$ 75,000

All Other Races

Finishing Position	Amount
1	\$35,000
2	\$ 25,000
3	\$ 20,000
4	\$ 15,000
5	\$ 10,000

11.2.2.3. Indianapolis Qualifications Bonuses –

Awards are determined by performance in qualifications for the Indianapolis 500 Mile Race Event.

Qualifying Position	Amount
Pole Position	\$175,000
2 nd Highest Qualifier	\$ 75,000
3 rd Highest Qualifier	\$ 50,000

11.2.2.4. Awards are determined by the Entrant's status as a Qualified Car or Non-Qualified Car.

11.2.2.5. Qualified Cars shall be eligible for all awards associated with participation in an Event.

11.2.2.6. Non-Qualified Cars shall not be eligible for Basic Awards, but shall be eligible for Race Bonuses, Indianapolis Qualifications Bonuses, and End of Season Awards. INDYCAR may issue an additional award to Non-Qualified Cars. If a non-Qualified Car was approved by INDYCAR to participate in a Race (e.g., listed in the starting field), the additional award may be based upon the number of Non-Qualified Cars participating at the remaining Races. If a non-Qualified Car is not approved by INDYCAR to participate in a Race (e.g., not listed in the starting field), no additional award may be issued.

11.2.2.7. End of Season Awards are determined by performance over the course of the season.

Entrant End of Season Bonus Driver End of Season Bonus

Entrant	
Finishing Position	Amount
1	\$500,000
2	\$125,000
3	\$ 87,500
4	\$ 62,500
5	\$ 37,500

Driver	
Finishing Position	Amount
1	\$500,000
2	\$125,000
3	\$ 87,500
4	\$ 62,500
5	\$ 37,500

11.3. Withholding

11.3.1. Offset - INDYCAR shall have the right to offset any amounts owed by a Member to INDYCAR, an Event Promoter, or a Manufacturer or their affiliates against any award including without limitation TEAM award payments otherwise payable to the Member or the Member's Entrant.

11.3.2. Protest - If a protest is lodged affecting the distribution of an award including without limitation TEAM award payments, all awards so affected shall be forwarded to the INDYCAR office or in the case of monetary awards placed in an escrow account as directed by INDYCAR within five business days after the filing of the protest, without obligation as to interest.

12 PROTESTS

12.1. Submission of Protests - A protest shall be submitted to:

Beaux Barfield (including his representative)
President of Competition
INDYCAR
4565 West 16th Street
Indianapolis, IN 46222

12.2. Protest - A protest includes:

12.2.1. Written Protest - A protest shall clearly state the errors claimed. Each claimed error must be stated in specific rather than general terms and must be accompanied by a written statement of the facts and grounds upon which it is based. Except in the case of penalties that may not be protested or appealed as set forth in these Rules, a Member who receives a penalty notice may file a protest pursuant to this Rule 12 or, if the penalty was issued by the Race Director, an appeal pursuant to Rule 13.

12.2.2. Protest Fee - The protest fee is \$10,000. This fee will be refunded if a penalty or ruling is overturned. The protest fee is in addition to any monetary penalty previously assessed.

12.3. Informal Inquiry- All Entrants or Members are encouraged to resolve any dispute informally. If a potential issue is known before the posting of the official race results, affected parties may verbally request an informal inquiry which shall be conducted in any manner deemed appropriate by the Race Director. There shall be no fee payable for such informal inquiry. Once the posting occurs or the time lapse

no longer permits, the provisions of Rule 12 applicable to all protests shall apply.

12.4. Right to Protest and Time Limits

12.4.1. Entry - Only the Entrant submitting an Entry may protest the rejection of such Entry. A protest must be filed within 24 hours of notice of rejection of the Entry. Any Competitor who competes in any Event that is not in accordance with the published Entry form conditions waives the right to protest the non-enforcement of such conditions.

12.4.2. Entrant - Only an Entrant may protest an action of the scoring, inspections or awards of positions or an action of the Entrant or another Competitor during an Event. The protest must be lodged within 30 minutes after the official posting of results or the issuance of the penalty notice. To preserve the right to protest, the Entrant must verbally notify the Race Director of its intent to file a protest within 15 minutes after the official posting of results or the issuance of the penalty notice. If a penalty is not issued until the next business day or later after an Event, the protest must be lodged by 5 p.m. E.D.T. of the second business day following the release of the penalty notice.

12.4.3. Other Members - Except as otherwise provided in the Rules, a Driver or other Member may protest any action taken by Officials with respect to such Driver or Member. Protests of actions taken by Officials must be lodged within 30 minutes after the official posting of results or the issuance of the penalty notice. To preserve the right to protest, the Driver or other Member must verbally notify the Race Director of the Driver's/Member's intent to file a protest within 15 minutes after the official posting of results or the issuance of the penalty notice. If a penalty is not issued until the next business day or later after an Event, the protest must

be lodged by 5 p.m. E.D.T. of the second business day following the release of the penalty notice.

12.4.4. Violation Involving Multiple Members - Where more than one Member of the same Team is involved in the same violation of the Rules, one protest and protest fee is necessary to cover all such Members. Where more than one Team is involved in the same violation of the Rules, the Race Director may allow one protest and protest fee to cover all teams similarly affected. However, in order to not lose any rights, each team who desires to protest should timely file its individual protest and fee.

12.4.5. Affected Member -Any Member who is entitled to protest an issue being protested by another Member is an interested party who has the right to be heard but whose own interest will not be controlled by the protest or appeal decision unless INDYCAR chooses to provide relief. Likewise, a Member whose interest may be affected by a protest by another Member has a right to be heard at a protest hearing.

12.4.6. Decisions Not Subject to Protest or Appeal - Members recognize the need for Officials to make decisions that require judgment and the exercise of discretion, often instantaneously with Events as they are occurring. Members recognize that there is a limited system of instant replay during or after an Event. The exercise of judgment by Officials during an Event, and any other matters which may be designated as not subject to protest or appeal under these Rules, may not be protested or appealed and the decision of Officials is final and binding. Examples of this exercise of judgment include but are not limited to the following:

- a) To declare a practice session completed or to modify a practice session;

- b)** When a Car has participated sufficiently to be deemed a non-starting Car;
- c)** To declare or end a yellow condition;
- d)** When and where to move a Car;
- e)** Whether a Car must forfeit its guaranteed qualifications attempt;
- f)** To add warm up laps to a qualifications attempt, interrupt a qualifications attempt or extend qualifications;
- g)** To add provisional starting Cars;
- h)** To start a Race on “wet” tires;
- i)** When a Car returned to its original starting grid position prior to the conclusion of the parade lap;
- j)** To reorder the Car at the rear of the starting grid;
- k)** When a Driver improved the Driver's position prior to crossing the start/finish line at the start of a Race;
- l)** When a Car advanced or maintained its position relative to other Cars due to an off Track excursion;
- m)** When a Car retiring from a Race in pit lane shall be credited with completing a lap.
- n)** When a Car was properly positioned upon the declaration of a yellow condition;
- o)** When the Safety Car signaled a Driver to pass during a yellow condition;
- p)** When a proper passing signal was given during a yellow condition;

- q)** When the Safety Car or another Car was improperly passed during a yellow condition
- r)** When a Car was properly positioned as it crossed the point designated as the end of the pit lanes;
- s)** When the Car leading the Race or any other Car fails to restart or pace the Race as directed by Officials;
- t)** When to declare or end a green condition during a Race, including declaring the abort of a Race start or restart;
- u)** When to declare a black flag, disqualification, or other non-monetary penalty;
- v)** When to reposition a Car in a posting to reflect the failure to fulfill a black flag or other penalty;
- w)** When a Member attempted to or engaged in unsportsmanlike behavior, blocking and team tactics;
- x)** When a Car followed proper procedures entering pit lane, participating in a pit stop, or exiting pit lane;
- y)** When a Driver passed the Driver's pit by more than one pit and was pushed back to the pit;
- z)** When a Car successfully completed technical inspection;
- aa)** When a Car involved in a crash prior to the Race may be repaired or must be replaced by a backup Car and start at the rear of the starting grid;
- bb)** When a Car was in a hazardous condition or was involved in contact such that it will not be permitted to continue in an Event;

- cc) To approve technical and structural changes during a Race;
- dd) Whether to declare a red condition during a Race;
- ee) To declare a Car was involved in a crash during or subsequent to the red condition;
- ff) To restart a Race stopped by the declaration of the red condition, or to Rule a Race complete;
- gg) When a Car caused an avoidable yellow or red condition;
- hh) To declare a Race completed, canceled, postponed, temporarily stopped or delayed.

Notwithstanding the foregoing, Officials may review a decision that is non-protetable as they deem appropriate. Review of a non-protetable decision does not render it protetable or appealable.

The Race Director may decline to accept a protest, even if the matter were otherwise protetable, if he determines that the alleged Rule violation is so insubstantial as to not provide a Member with a significant competitive advantage over other Members.

12.5. Jurisdiction - The Race Director shall have the exclusive jurisdiction to resolve all protests. Notwithstanding the foregoing, the Race Director shall have the right to select an individual or individuals to resolve a protest with all of the powers and responsibilities of the Race Director set forth in this Rule 12. The jurisdiction of Race Director is limited to those matters and issues submitted in the written protest to the Race Director by the protestant. The decision which is the subject of the protest shall not be stayed pending the protest unless otherwise determined by the Race Director and upon such terms as the Race Director deems appropriate.

12.6. Advisory Committee – While the Race Director has no obligation to use an advisory committee, the Race Director may choose to use an advisory committee selected by the Race Director to assist in making a determination on a protest. The members of the committee shall consist of individuals involved with automobile racing, but who do not have a financial interest in the outcome of the protest. The advisory committee may make a recommendation as to the disposition of the protest, but the Race Director may choose to accept, not accept or modify the recommendation.

12.7. Hearing of the Protest - The Race Director may cause an investigation to be made into the matters surrounding the protest and shall convene a hearing within 14 days of receipt of the protest unless the hearing date is extended by the mutual agreement of the Race Director and the protestant. The protestant and any Member requesting an opportunity to participate and who the Race Director determines has a material interest in the proceeding shall be given notice of the hearing and shall be entitled to be heard and given an opportunity to call witnesses. The effect on championship point standings does not constitute a “material interest”. It is the Race Director’s decision as to whether to permit a Member to be represented by counsel at the hearing

12.8. Conduct of the Protest Hearing - The hearing will be conducted according to the following procedures:

12.8.1. The hearing is not open to the public and admittance to the hearing is by invitation of the Race Director and can be revoked. The Race Director shall conduct the hearing in an informal manner. The hearing shall be confined to the errors claimed in the protest and evidence relevant to those errors.

12.8.2. The Race Director shall identify the parties and other necessary participants in the proceedings. The Race Director may summon any Member to testify at the hearing. If a Member is called as a witness and fails

to appear, INDYCAR may revoke the Member's membership or otherwise penalize the Member.

12.8.3. The Race Director shall not be limited to the technical common law Rules of evidence required in judicial proceedings but shall be satisfied the evidence submitted is of a type on which the Race Director can rely.

12.8.4. All parties to the proceedings shall be permitted to present and cross-examine witnesses and to submit evidence, both oral and documentary. The burden of proof shall remain at all times on the protestant.

12.8.5. Consistent with the informal nature of the protest hearing, there shall be no transcript of the hearing unless the Race Director determines otherwise.

12.8.6. The Race Director is not required to consider matters not assigned as error in the original protest or matters outside the scope of the submission by the protestant.

12.9. Unusual Circumstances - The Race Director shall have the right to require the protestant to post an adequate bond to cover the costs of the protest or any reasonable foreseeable economic harm to INDYCAR or other Members that might be caused by the protest. If the Race Director requires a bond, its form and substance shall be in the discretion of the Race Director.

12.10. Determination of the Protest – There is no deadline for the issuance of a decision by the Race Director. The time frame will depend upon the nature of the protest. It is anticipated that a decision will normally be issued within 14 days.

12.11. Protest Procedure Final – The decision of the Race Director on the protest shall be final and binding on all Members, subject only to the right to appeal the decision

under the Rules. Any award withheld as a result of a protest shall continue to be withheld until the protest has been finally adjudicated in accordance with the Rules.

12.12. Compliance With Procedures - Any protest that fails to comply with any of the foregoing requirements may be dismissed and disregarded. Any error not specifically raised in the protest shall be deemed to have been waived.

13 APPEALS

13.1. Submission of Appeals – An appeal shall be submitted to:

Brian Barnhart (including his
representative)
President of Operations
INDYCAR
4565 West 16th Street
Indianapolis, IN 46222

13.2. Appeal - An appeal is intended to be formal as compared to the protest and includes:

13.2.1. Written Appeal - The appeal must contain reference to the specific action by INDYCAR from which an appeal is taken, the date of the occurrence, the reasons for the appeal, and specific reference to any Rules allegedly violated and the relief requested. The appeal must be accompanied by copies of all written documents pertaining to the appeal, such as protests, responses, rulings, declarations, etc. The appeal must clearly and explicitly state the basis of the appeal.

13.2.2. Appeal Fee - The appeal fee is \$20,000 and is non-refundable. The appeal fee is in addition to the protest fee and any monetary penalty previously assessed.

13.3. Right to Appeal and Time Limits –

13.3.1. To the extent permitted under the Rules, any Member may appeal a determination by the Race Director on the imposition of a penalty or on a protest.

13.3.2. An appeal may be initiated by submitting the appeal by 5 p.m. E.D.T. of the second business day following the release of the protest decision.

13.3.3. Violation Involving Multiple Members - Where more than one Member of the same Team is involved in the same violation of the Rules, one appeal and appeal fee is necessary to cover all such Members. Where more than one Team is involved in the same violation of the Rules, the Appeal Official may allow one appeal and appeal fee to cover all teams similarly affected. However, in order to not lose any rights, each team who desires to appeal should timely file its individual appeal and fee.

13.3.4. Affected Member - Any Member who is entitled to appeal an issue being appealed by another Member is an interested party who has the right to be heard but whose own interest will not be controlled by the decision unless INDYCAR chooses to provide relief. Likewise, a Member whose interest may be affected by an appeal by another Member has a right to be heard at an appeal hearing.

13.4. Jurisdiction - The Appeal Official shall have the exclusive jurisdiction to resolve all appeals. Notwithstanding the foregoing, the Appeal Official shall have the right to select an individual or individuals to resolve an appeal with all of the powers and responsibilities of the Appeal Official set forth in this Rule 13. The jurisdiction of the Appeal Official is limited to those matters and issues submitted in the appellant's written appeal. The decision which is the subject of the appeal shall not be stayed pending the appeal unless otherwise determined by the Appeal Official and upon such terms as the Appeal Official deems appropriate.

13.5. Advisory Committee – While the Appeal Official has no obligation to use an advisory committee, the Appeal Official may choose to use an advisory committee selected by the

Appeal Official to assist in making a determination on an appeal. The members of the committee shall consist of individuals involved with automobile racing, but who do not have a financial interest in the outcome of the appeal. The advisory committee may make a recommendation as to the disposition of the appeal, but the Appeal Official may choose to accept, not accept or modify the recommendation.

13.6. Hearing of the Appeal - The Appeal Official shall convene a hearing within 14 days of receipt of the appeal unless the hearing date is extended by the mutual agreement of the Appeal Official and the appellant. The appellant and any Members requesting an opportunity to participate in the proceeding and which the Appeal Official determines to have a material interest in the proceeding shall be given notice of the hearing and shall be entitled to be heard and call witnesses. The effect on championship point standings does not constitute a “material interest”. It is the Appeal Official’s decision as to whether to may permit a Member to be represented by counsel at a hearing

13.7. Conduct of the Appeal Hearing - The hearing will be conducted according to the following procedures:

13.7.1. The hearing is not open to the public and admittance to the hearing is by invitation of the Appeal Official and can be revoked. The Appeal Official shall conduct the hearing consistent with a more formal proceeding than expected in the protest hearing. The hearing shall be confined to the errors claimed in the appeal and evidence relevant to those errors.

13.7.2. The Appeal Official shall identify the parties and other necessary participants in the proceedings. The Appeal Official may summon any Member to testify at the hearing. If a Member is called as a witness and fails to appear, INDYCAR may revoke the Member’s membership or otherwise penalize the Member.

13.7.3. The Appeal Official shall not be limited to the technical common law Rules of evidence required in judicial proceedings but shall be satisfied the evidence submitted is of a type on which the Appeal Official can rely. The Appeal Official may exclude irrelevant, immaterial or unduly repetitious evidence.

13.7.4. All parties to the proceedings shall be permitted to present and cross-examine witnesses and to submit evidence, both oral and documentary. The burden of proof shall remain at all times on the appellant.

13.8. Structure of the Appeal Hearing - The Appeal Official shall conduct the hearing in the following manner. Prior to opening statements or the submission of proof by the appellant, the Appeal Official may request that Race Director submit an explanation of the basis of his decision.

13.8.1. Opening Statements - The parties to the proceedings will be permitted to make opening statements, with the appellant making the first opening statement. Each party shall state the issue(s) before the Appeal Official and a brief summary of the position of the party with respect to such issue(s).

13.8.2. Order of Proof - The evidence shall be received by the Appeal Official in the following order:

13.8.2.1. The appellant shall first submit and present evidence in support of the appeal. Upon the completion of direct examination, each witness shall be subject to cross-examination by the other parties and by the Appeal Official.

13.8.2.2. The Race Director and the other parties shall then be permitted to present evidence, and any witnesses presented shall be subject to cross-examination by the appellant, by other parties, and by the Appeal Official.

13.8.3. Closing Arguments - Upon completion of the evidentiary portion of the hearing, all parties, beginning with the appellant, may make closing arguments.

13.9. Powers of the Appeal Official - The Appeal Official shall have the following powers:

- a) To receive and rule upon relevant evidence;
- b) To ask questions of witnesses or the parties;
- c) To regulate the course of the hearing;
- d) To include or exclude individuals from the hearing;
- e) To require the presence of witnesses;
- f) To strike and disregard all testimony of witnesses refusing to answer proper questions;
- g) To dispose of procedural requests, motions or similar matters;
- h) To require a party at any time to state its position concerning any issue in the appeal or its theory in support thereof;
- i) To impose any other requirement necessary to render a timely decision; and
- j) To require the appellant to post an adequate bond to cover the costs of the appeal or any reasonable foreseeable economic harm to INDYCAR or other Members that might be caused by the appeal. If the Appeal Official requires a bond, its form and substance shall be at the determination by the Appeal Official.

13.10. Determination of the Appeal – There is no deadline for the issuance of a decision by the Appeal Official. The time frame will depend upon the nature of the appeal. It is

anticipated that a decision will normally be issued within 30 days.

13.11. Appeal Procedure Final - Decisions of Officials shall be final and binding unless such decisions and penalties may be protestable under the Rules, are protested, and appealed within the time limitations and other procedures prescribed by the Rules, and such protests or appeals are pending.

13.11.1. By submitting a membership application and in consideration of receiving the numerous benefits available, each Member agrees that the final decisions of Officials are non-litigable. Each Member agrees to abide by the non-appealable decisions of Officials and by the final resolution in the protest and appeal procedure as to decisions that are appealable.

13.11.2. A Member's exclusive right to contest a decision or the Rules is within the protest and appeal procedure of INDYCAR, and any decision reached within this procedure is final and binding.

13.11.3. Any unappealed protest decision by the Race Director or any appeal decision by the Appeal Official on these or any other matters shall be final and binding.

13.11.4. No court action of any kind may be taken by any Member.

13.11.5. Any Member participating in an Event waives any rights such Member may otherwise have to be a party or to take any action in court seeking legal or equitable relief against any decision or action of any kind by INDYCAR, its Officials or anyone acting on behalf of INDYCAR.

13.11.6. Each Member acknowledges that participation in an Event by other Entrants, Drivers and Members is in part in reliance on this waiver.

13.11.7. If a Member initiates or participates in litigation in violation of the Rules, all membership privileges shall thereupon be suspended and is subject to the provisions of Rule 2.8.

13.12. Compliance With Procedures - Any appeal that fails to comply with any of the foregoing requirements may be dismissed and disregarded. Any error not specifically raised in the protest or appeal shall be deemed to have been waived.

14

TECHNICAL SPECIFICATIONS

14.1. General

14.1.1. The only binding means of communication shall be in writing.

14.1.2. INDYCAR shall maintain a technical site on IRIS for teams and manufacturers to submit questions, to provide technical information or provide various technical updates when necessary.

14.1.3. Questions submitted by close of business on Friday will be answered by the close of business the following Wednesday. Safety and critical issues will be answered as soon as practical.

14.1.4. All components provided by INDYCAR, Dallara or an approved supplier must be used as supplied unless otherwise stated in these Rules or in update bulletins.

14.1.5. All original manufacturer identification markings and/or tags must remain as supplied. Visible identification markings may be removed from components fitted with RFID tags from Dallara.

14.1.6. Rain covers may be used during inclement weather conditions – no other form of cover may be used.

14.1.7. No form of heating may be used on a Car when the Car is outside its assigned garage.

14.1.8. The following forms of cooling are permitted outside the assigned garage:

- a) Cooling towels applied to bodywork;

- b) Driver cooling fans; and
- c) Brake cooling fans (in assigned pit stall only)

14.2. Technical Inspection

14.2.1. Technical inspection shall take place in phases, safety, electronic and dimensional. The responsibility remains with the teams to make sure Cars conform to all technical regulations throughout the course an Event.

14.2.2. Technical Passport as supplied by Dallara must be submitted to technical inspection at the start of any on-Track Event for the chassis entered.

14.2.3. Reference planes and ‘0’ coordinates

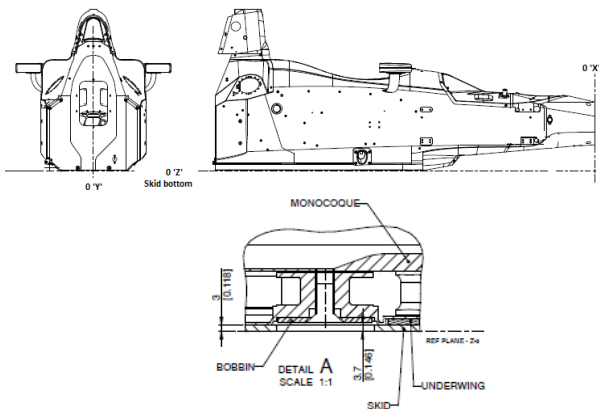
14.2.3.1. All measurements shall be taken from the reference plane or ‘0’ coordinates. These shall be established by Dallara and cannot be modified in any way.

14.2.3.2. References will be measured using the following coordinates:

- a) “X” coordinate is defined as the relative location fore and aft of the front face of the forward chassis bulkhead - “0” being the forward face of the chassis. These measurements will be referred to as +/- the “X” line, with – (negative) being forward.
- b) “Y” coordinate is defined as the location laterally from the chassis centerline, Drivers right hand side being positive.
- c) “Z” coordinate is defined as the location vertically with the bottom of the skid being 0 ‘Z’, + (positive) being up.

14.2.3.3. The bottom of the skid establishes the "chassis reference plane." For purposes of technical

inspection, the “chassis reference plane will be four hard points 0.079 inches thick (2.0mm) each manufactured from steel bolted to the bottom of the chassis in the Dallara specified locations. These hard points shall be Ø1.500 inches.



14.2.4. Officials may impound or confiscate a Car, part, equipment, item or data associated with a Car. INDYCAR is not responsible for damage or loss as a result of inspection procedures, impounding or confiscation.

14.2.5. Officials may examine any Car involved in a crash and determine if it is suitable for further participation, and all Members shall cooperate in the preparation of damage reports, photographs, videotaping and impact recording analysis.

14.2.6. Wheel inspection dates will be prior to the first Open Test and prior to Toronto Race event.

14.2.7. The original of all required chassis-repair forms must be submitted to INDYCAR for approval prior to the Car participating in the next Event.

14.2.8. Chassis, nose and attenuator structural repairs may only be made by Dallara.

14.2.9. Nickel, chrome or decorative platings are not permitted on parts that require magnetic inspection. All parts which are painted, plated, or have special coatings must be stripped prior to nondestructive testing and inspection.

14.2.10. A copy of all required INDYCAR inspection forms must be submitted to INDYCAR for approval before the designated on-Track Events.

14.2.10.1. All parts indicated on any INDYCAR inspection forms or in an INDYCAR bulletin must be tested by the appropriate nondestructive testing techniques or as otherwise directed by Officials. These inspections shall be performed by an INDYCAR-approved inspection station prior to the first Open Test and prior to Toronto Race event.

INDYCAR may require additional inspections during the season.

14.2.11. Water pipes are to be used as supplied by Dallara.

14.2.12. Oil pipes are free but must have a 6 inch flexible section at the radiator end of the pipe.

14.2.13. Hoses/fittings/nuts and bolts may be individually sourced by the teams.

14.2.14. Oil/greases are free.

14.2.15. Heat shielding other than fabrics or sleeving must be approved by INDYCAR.

14.2.16. After a crash during a Test, an Entrant must present the following items to INDYCAR, upon request:

- a) Driver's Helmet
- b) Driver's Head Restraint System

- c) Driver's Seat
- d) Chassis Headrest
- e) Steering Wheel
- f) Ear Pieces

INDYCAR will inspect the items. Any item that does not successfully complete inspection must be repaired, re-certified or replaced by the Entrant at the Entrant's cost prior to use.

14.3. Car Weight and Driver Equivalency Weight

14.3.1. Car Weight

14.3.1.1. The minimum weight shall include all lubricants, coolants and camera or dummy camera housings. Fuel and the Driver are excluded.

14.3.1.2. Minimum weight for Road/Streets & Short ovals – shall be advised by bulletin.

14.3.1.3. Minimum weight for Speedways – shall be advised by bulletin.

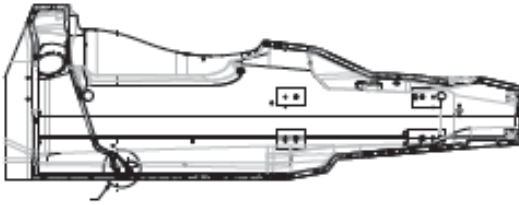
14.3.1.4. Ballast - All ballast must be securely fastened, approved by INDYCAR and declared at technical inspection.

14.3.1.4.1. Approved ballast locations shall be advised by bulletin.

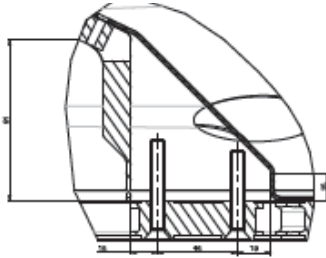
14.3.2. Driver Equivalency weight –

INDYCAR shall determine the additional Driver Equivalency Weight required and shall notify each Entrant by bulletin.

The Driver Equivalency Weight must be installed and secured in the designed location forward of the seatback as per the following illustration.



Detail A



Detail A

The Driver Equivalency Weight must be a hard dense metal.

Violation of this **Rule 14.3.2** may result in a minimum \$100,000 monetary fine and/or such other penalties as INDYCAR shall deem appropriate.

14.4. Chassis

14.4.1. Timing Transponder – The timing transponder supplied by INDYCAR must be used at all times. The cover supplied by Dallara must remain in place.

14.4.2. On Board Fire Equipment - Each Car must have the Dallara supplied built-in operable fire extinguishing equipment with a minimum content of 2.250 liters located inside the chassis and within the wheelbase. The U.S. Department of Transportation approved fire suppressant must be AFFF-M-E fluid.

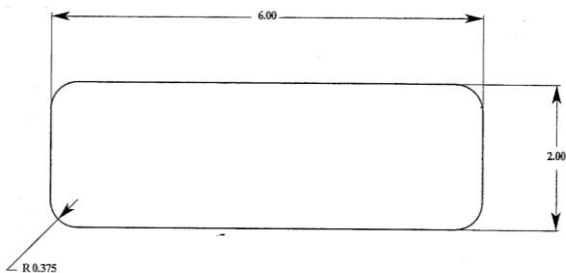
14.4.3. Impact Recorders - All Cars must make provisions for the installation of an impact recorder.

14.4.3.1. The impact recorder must be securely bolted using 4 bolts to the main chassis structure in a position determined by INDYCAR.

14.4.3.2. The impact recorder download block and indicator lights must be located in the position as supplied by the chassis manufacture.

14.4.4. Mirrors Lens
(See Illustration)

Minimum Mirror Glass Dimensions



The mirrors must be positioned on the Car to provide the Driver with maximum rearward and lateral vision at all times.

14.4.5. Cockpit – Cars must have fitted all the manufacturer supplied cockpit panels and EPP foam panels in the footbox, leg and seat area.

14.4.6. Windscreen – All windscreens must be approved by INDYCAR prior to use.

14.4.7. Seating System

14.4.7.1. Each seat must be manufactured for a specific Driver. Each seat must have a unique identification tag from the seat manufacturer and be date stamped. All seats must be inspected and approved by Officials before use and will be subject to re-inspection by Officials at any time. INDYCAR may require a seat to be replaced.

14.4.7.2. The Driver's seat must conform to the Driver's anatomy and be constructed of an INDYCAR approved material that will permit support and energy-attenuation both laterally and rearward. This material must fill as much of the cockpit under, behind and to the side of the Driver as possible. The seating system must be in place when the Car is inspected.

14.4.7.3. When the Driver is seated, there must be a smooth transition of energy-attenuating materials between the top of the seat and the cockpit rim padding, including the rear headrest. There must be no projections that could provide a fulcrum between the Driver's head and neck.

14.4.8. Seat Belts - An approved seat belt with a quick-release mechanism must be used. Both the fastening design and condition of the belt is subject to inspection by Officials. Life of the belts in use shall not exceed 2 years and must be date-stamped by the manufacturer. All belts must conform to the following SFI Specifications: 3 inch SFI 16.1, 2 inch SFI 16.5 or equivalent specification as approved by INDYCAR.

14.4.8.1. Seat belts must be worn in such a manner that they are tight and pass around the pelvis at a point below the anterior superior iliac spines.

14.4.8.2. Seat belts may not pass over the sides of the seat. They must come through the seat at the bottom on each side thereby wrapping and holding the pelvis over the greatest possible area.

14.4.8.3. 6-point (crotch) belts must be connected to the main belt quick-release mechanism and securely attached to the chassis.

14.4.8.4. Seat belts which have had to withstand a crash in excess of 50 Gs must be replaced.

14.4.9. Shoulder Harness – Double over-the-shoulder straps must be used. HANS® specific double-shoulder belts are permitted provided they are mounted and used according to manufacturer specifications. Both the fastening design and condition of the straps is subject to inspection by Officials. Life of the straps in use shall not exceed 2 years and must be date-stamped by the manufacturer. Belts should be attached in a line approximately 90 degrees to the seat back and be approximately level with the top of the Driver's shoulders or at a slightly downward angle.

14.4.9.1. Mounting of all belts must use the manufacturer supplied mount and use the supplied mounting positions unless otherwise approved by INDYCAR.

14.4.10. Headrest -Headrests must be used as supplied by Dallara.

14.4.10.1. All headrests must be inspected and approved by Officials before use and will be subject to confiscation and re-inspection by Officials at any time. Officials shall affix stickers to the headrests signifying approval for use. At any time, Officials may remove the approval stickers and require the headrests to be re-inspected and refurbished by

Dallara before INDYCAR may consider them for re-approval.

14.4.10.2. Headrests must be attached by the manufacturer supplied mechanism. The headrest must be in place during technical inspection.

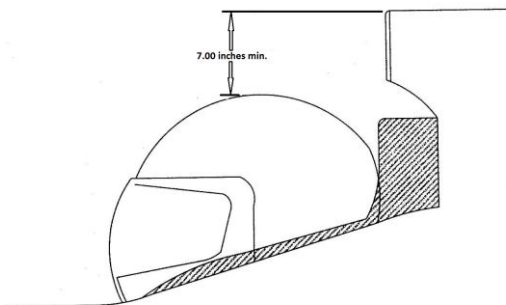
14.4.11. Additional Headrest Padding – Additional side padding must not exceed the height of the stock headrest as viewed from the side. Additional rear padding must not exceed the height or width of the headrest as viewed from the front. All padding must be contained in the original headrest dimensions as looked at in plan view.

The additional headrest padding must consist of three pieces left side, right side and rear. The side pieces are restricted to 15.0 inches in overall length and must have a minimum 3.0 inch leading edge taper.

The additional padding must be removable independently of each other without the use of tools. All additional padding must be manufactured completely of foam, each piece may have a single layer Kevlar backing to assist in the mounting providing that it remains flexible, and does not interfere with the original function of the stock headrest.

Additional padding may not be taped along any surface. All additional pads and coverings must be inspected and approved prior to use.

14.4.12. Roll Hoop – The Drivers helmet must be a minimum of 7.0 inches below the chassis mounting face of the roll hoop camera. (**See Illustration**).



14.4.13. Car Tracking System, Telemetry and In-Car Cameras

14.4.13.1. Car Tracking System – The INDYCAR approved car tracking system must be installed in the designated location(s) on each Car and must be operational at any time the Car is participating in on-Track Events unless otherwise notified by INDYCAR.

14.4.13.2. Telemetry - INDYCAR shall own any and all telemetry, video, sound, data or other information generated or collected. The use and control of the dissemination of the telemetry, video, sound, data or other information shall be determined by INDYCAR.

14.4.13.3. In-Car Cameras – As requested by INDYCAR each Car must run either the cameras or dummy equipment as supplied by BSI/INDYCAR.

14.4.13.4. Entrants are permitted to use their own on board video equipment, provided it is used during practice only and pre-approved by INDYCAR.

14.5. Dimensions

14.5.1. Length

14.5.1.1. Road & Street Course / Short Oval - The overall length of the Car is 203.94 inches +/- 0.250 inches.

14.5.1.2. Speedway – The overall length of the Car is 197.335 inches +/- 0.250 inches.

14.5.2. The maximum wheelbase is 121.00 inches and minimum is 118.00 inches +/- 0.250 inches.

14.5.3. The wheelbase of the Car, left to right, may have a maximum variance of 0.500 inch.

14.5.4. Track width (measured at axle center line)

14.5.4.1. Oval events – Front and rear are limited to a minimum of 75.500 inches and a maximum of 76.500 inches.

14.5.4.2. Road & Street events - Front and rear are limited to a minimum of 75.875 inches and a maximum of 76.875 inches.

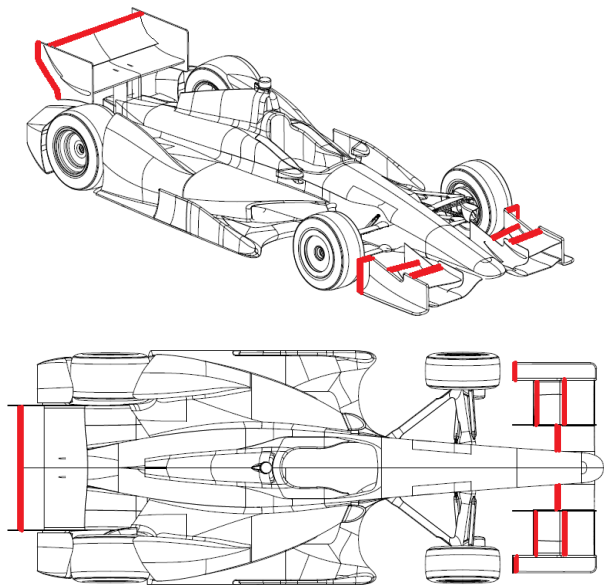
14.5.5. A maximum offset, left to right, of 0.250 inch is permitted.

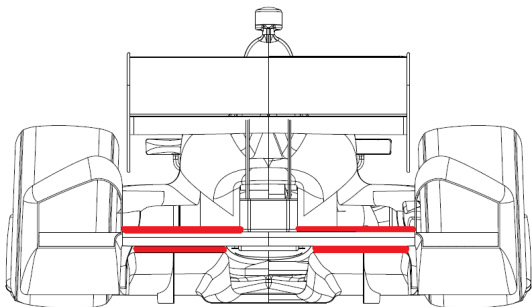
14.6. Aerodynamics - Attachments or devices that are movable or adjustable while the Car is in motion and which may affect airflow or aerodynamics are not permitted.

14.6.1. Wickers are permitted in the following places (see illustrations) and have the following restrictions:

- a) Must be mounted on the top surface of wing elements at the trailing edge;

- b)** Maximum height of 1.00 inches;
- c)** Maximum mounting face 0.60 inches long;
- d)** Securely fixed with a minimum of 3 mechanical fasteners;
- e)** Must be at 90 deg to the mounting surface;
- f)** Must be rigid with a minimum thickness of 0.048 inches;
- g)** Must be parallel, stepped or tapered in profile with no sharp corners;
- h)** Rear wing endfence wickers are only permitted on Road/Street Courses.





14.6.2. Front Wings

Road / Street & Short Oval

14.6.2.1. The complete front wing assembly must be used as supplied without modification and run in the configuration designated by INDYCAR.

14.6.2.2. The front wing mainplane must be set at 1.92 degrees, nose down plus or minus 0.300 degrees.

14.6.2.3. The overall width of the mainplane is 59.000 inches plus or minus 0.050 inches.

14.6.2.4. The bottom surface of the wing shall be no less than 2.950 inches above the chassis reference plane.

14.6.2.5. No painting, adhesive film or any other substance may be added to the lower wing surface from a point 2 inches behind the leading edge of the wing to the trailing edge of the wing.

14.6.2.6. The maximum amount of front wing deflection will be advised by bulletin; a suspended load of 100 pounds will be applied at each outer end of the front wing endfence.

14.6.2.7. The trailing edge thickness of the front wing mainplane and flaps must be 0.075 inches plus 0.050 inches or minus 0.025 inches.

14.6.2.8. The lower flap width is 14.91 inches plus or minus 0.050 inches.

14.6.2.9. The upper flap width is 14.93 inches, plus or minus 0.050 inches.

14.6.2.10. The overall thickness of the end fence is 0.390 inches plus or minus 0.050 inches.

14.6.2.11. The width of the end fence foot is 6.00 inches plus or minus 0.050 inches.

Indianapolis 500 Mile Race Event and Speedway Events

14.6.2.12. The complete front wing assembly must be used as supplied without modification and used in the configuration designated by INDYCAR.

14.6.2.13. The overall width of the mainplane is 58.270 inches plus or minus 0.050 inches.

14.6.2.14. The bottom surface of the wing shall be no less than 4.400 inches above the chassis reference plane.

14.6.2.15. No painting, adhesive film or any other substance may be added to the lower wing surface from a point 2 inches behind the leading edge of the wing to the trailing edge of the wing.

14.6.2.16. The front wing deflection allowed will be advised by bulletin with a suspended load of 100 pounds applied at each outer end of the front wing endfence.

14.6.2.17. The trailing edge thickness of the front wing mainplane must be 0.075 inches plus 0.050 inches or minus 0.025 inches.

14.6.2.18. The overall thickness of the end fence is 0.390 inches plus or minus 0.050 inches.

14.6.2.19. The width of the end fence foot is 4.870 inches plus or minus 0.050 inches.

14.6.2.20. The bottom edge of the endfences must be a minimum of 2.665 inches above the chassis reference plane.

14.6.3. Rear Wings

Road / Street & Short Oval

14.6.3.1. The complete rear wing assembly must be used as supplied without modification and run in the configuration designated by INDYCAR.

14.6.3.2. The maximum amount of rear mainplane deflection will be advised by bulletin; a suspended load of 250 lbs. will be applied.

14.6.3.3. The maximum amount of rear flap deflection will be advised by bulletin; a suspended load of 100 lbs. will be applied.

14.6.3.4. The overall width of the mainplane is 41.720 inches plus or minus 0.050 inches.

14.6.3.5. The overall width of the flap is 41.700 inches plus or minus 0.050 inches.

14.6.3.6. The rear wing mainplane must be set at 0.0 deg +/- 0.25 deg.

14.6.3.7. The trailing edge thickness of the rear wing mainplane and flaps must be 0.080 inches plus 0.050 inches or minus 0.025 inches.

14.6.3.8. The top surface of the mainplane must be covered with an INDYCAR approved wrap. The mainplane wrap must be used as supplied and start at the trailing edge. The mainplane wrap may have printing and decals applied, providing the printing or decals are approved by INDYCAR prior to use.

14.6.3.8.1. One 2.0 inch strip of helitape may be placed along the leading edge of the mainplane, provided it is applied 1.0 inch below and 1.0 inch above the centerline of the leading edge of the mainplane.

14.6.3.8.2. During initial technical inspection at each Open Test and Race Event, the rear wing must be presented without the mainplane wrap.

14.6.3.8.3. Flap must be covered with an INDYCAR approved wrap. May have printing and decals applied, providing the printing or decals are approved by INDYCAR prior to use. One 2.0 inch strip of helitape may be placed along the leading edge of the flap provided it is applied 1.0 inch below and 1.0 inch above the centerline of the leading edge of the flap.

14.6.3.9. The mainplane trailing edge height, as measured from the chassis reference plane is 28.060 inches plus or minus 0.050 inches.

14.6.3.10. No part of the rear wing mainplane may extend rearward of the differential axle centerline more than 37.620 inches.

14.6.3.11. The end fence height, as measured from the chassis reference plane is 37.620 inches plus or minus 0.050 inches.

14.6.3.12. The top edge of the end fence must be parallel to the chassis reference plane, plus or minus 0.25 deg.

14.6.3.13. The overall thickness of the end fence is 0.390 inches plus or minus 0.050 inches.

14.6.3.14. Rear wing slot Gap

Top Flap Angle	Min.	Std.	Max.
10	0.329	0.359	0.389
36	0.382	0.412	0.442
46	0.369	0.399	0.429

The flap angles are in degrees. The slot gaps are in inches.

Indianapolis 500 Mile Race Event and Speedway Events:

14.6.3.15. Aerodynamic specifications and component configuration for Speedways will be specific for each Track and issued by bulletin.

14.6.3.16. The rear wing mainplane must be between 0.0 deg and minus 11.0 deg. (nose up).

14.6.3.17. The top surface of the mainplane must be covered with an INDYCAR approved wrap. The mainplane wrap must be used as supplied and start at the trailing edge. The mainplane wrap may have printing and decals applied, providing the printing or decals are approved by INDYCAR prior to use.

14.6.3.17.1. One 2.0 inch strip of helitape may be placed along the leading edge of the mainplane,

provided it is applied 1.0 inch below and 1.0 inch above the centerline of the leading edge of the mainplane.

14.6.3.17.2. During initial technical inspection at each Open Test and Race Event, the rear wing must be presented without the mainplane wrap.

14.6.3.18. The mainplane trailing edge height, as measured from the chassis reference plane is 28.060 inches plus or minus 0.050 inches.

14.6.3.19. The trailing edge thickness of the rear wing mainplane must be 0.080 inches plus 0.050 inches minus 0.025 inches.

14.6.3.20. No part of the rear wing mainplane may extend rearward of the differential/spool axle centerline more than 26.000 inches.

14.6.3.21. The top edge of the end fence must be parallel to the chassis reference plane, plus or minus 0.25 deg.

14.6.3.22. No part of the rear wing end fences may extend rearward of the differential/spool centerline more than 31.000 inches.

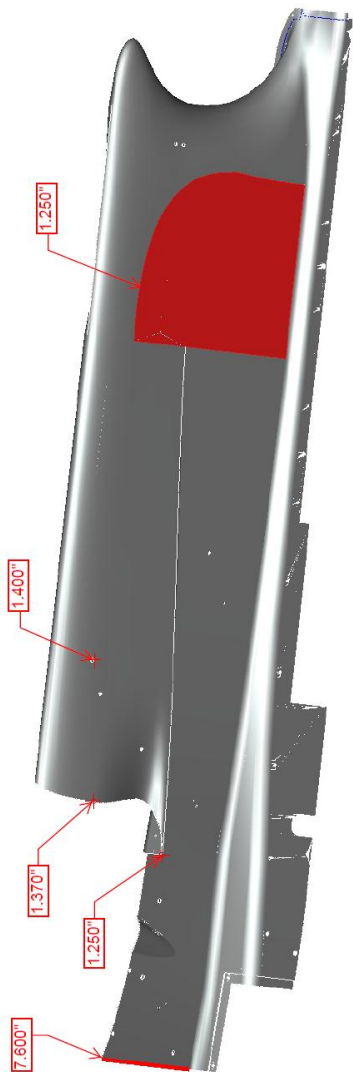
14.6.3.23. The overall thickness of the end fence is 0.390 inches plus or minus 0.050 inches.

14.6.3.24. The end fence height, as measured from the chassis reference plane is 31.500 inches plus or minus 0.050 inches.

14.6.4. Sidepods / Underwing

14.6.4.1. Sidepod shelves must remain removable as supplied.

- 14.6.4.2.** Buckeye covers and funnels must remain removable as supplied.
- 14.6.4.3.** Standard bodywork as supplied in technical inspection must be able to fit and be fastened at any time, utilizing all original fasteners.
- 14.6.4.4.** Radiator screens are open to teams (mesh and honeycomb), but no internal turning vanes may be added to the radiator ducts.
- 14.6.4.5.** Overall width of the bodywork may not exceed 79.200 inches.
- 14.6.4.6.** Only radiator inlet blanking panels as supplied by Dallara can be used. Naca ducts for cooling may be added to the blanking panels for cooling electronic components only.
- 14.6.4.7.** Sidepods and underwings must be able to withstand a load check. The deflection allowed will be advised by bulletin with a suspended load of 50 pounds. Two Ø 0.375 inch holes per side must be provided in the underwing to facilitate a deflection test. The location of these holes will be included in the bulletin. No paint may be added to the underwing surface from a point 2 inches behind the leading edge of the underwing. From this point aft only clear coating may be applied.
- 14.6.4.8.** The Underwing step plane heights must adhere to the following illustration. The heights of 1.250 inches, 1.370 inches, 1.400 inches have a tolerance of plus 0.100 inches and minus 0.00 inches.



14.6.4.9. The complete underwing as provided by Dallara cannot be modified or altered. The underwing must be used in the configuration designated by INDYCAR for any specific on-Track Event.

14.6.4.10. Ballast cannot be bolted or bonded to the underwing.

14.6.4.11. The exit of the underwing height is 7.600 inches with a tolerance of plus 0.050 inches and minus 0.00 inches.

14.6.5. Bodywork

14.6.5.1. Team car parts must be able to fit a standard INDYCAR chassis and standard INDYCAR tech parts must fit the team's car. All intended shapes and radii must remain as designed.

14.6.5.2. All included fasteners must remain and be in the locations as delivered. Teams are permitted to add extra fasteners.

14.6.5.3. The 3 screws that hold the 2 sidepod halves together may be changed to Tridairs but location must remain as is.

14.6.5.4. The sidepod shelves, fuel cell covers, buckeye covers, and exhaust outlet panels must remain removable.

14.6.5.5. The sidepod shelves, fuel cell covers, and underwing to tub may be blended to reduce the mounting lip. There must be a distinct join line defining each part from its mounting surface.

14.6.5.6. The anti-intrusion panels and the underwing vertical fin may be blended until there are no distinctions between parts. The intended shape and radius of the parts must remain as designed.

14.6.5.7. All of the remaining underwing parts (splitters, sidewall extensions etc.) must remain as supplied with the exception of adding extra fasteners.

14.6.5.8. All other parts may be fitted to reduce gaps and uneven heights. No tongue-and-groove, dovetail or other types of body fitting will be allowed. In these instances, the chassis should remain unmodified to ensure standard parts can fit.

14.6.6. Skids

14.6.6.1. Skids must be made to the drawings supplied by Dallara.

14.6.6.2. Skids must be made from 3.0mm material or 0.125 inch material.

14.6.6.3. Approved materials are brass, stainless steel, aluminum, jabroc and plastic.

14.6.7. Radiators - PWR is the approved radiator supplier, all engine installations must use the same radiators.

14.6.8. Airbox - The airbox must be used as supplied from Dallara. An INDYCAR approved air filter in the designated location must be used.

14.7. Fuel System

14.7.1. The fuel system must remain as supplied by Dallara for each engine installation.

14.7.2. The maximum capacity of the fuel cell shall be 19 U.S. Gallons.

14.7.3. Lanyard secured self-sealing breakaway valves must be used on the supply and return lines. All installations are subject to the approval of Officials.

14.7.4. The cell must have a vent and check valve. These must be located outside and away from the cockpit and the exhaust system.

14.7.5. In the event a fuel cell buckeye is not being utilized at an Event, a blanking plate with a minimum thickness of 0.250 inches must be securely fitted utilizing all of the holes in the fuel cell.

14.8. Steering and Suspension

14.8.1. Steering wheels must incorporate an approved quick release mechanism.

14.8.2. Only the Dallara supplied components and rack and pinion options may be used. No modifications are permitted.

14.8.3. Only the Dallara supplied suspension components may be used. No modifications are permitted.

14.8.4. Suspension components may not be controlled or activated electronically, with the exception of the weight jacker.

14.8.5. One weight jacker may be used at Oval Events only. This must be fitted on the right rear corner of the Car with a maximum travel of 0.500 inch. This must be controlled through the approved control box to which no modifications are permitted.

14.9. Dampers

14.9.1. Dampers are a free development component, provided they otherwise comply with this Rule.

14.9.2. Damper is a mechanical device utilizing hydraulic fluid to dissipate energy.

14.9.3. Each corner must have one damper and one spring. Helper springs, bump rubbers and packers are permitted, provided they are fitted with the primary spring.

14.9.4. Front and rear third control springs, bump rubbers and packers are permitted. No front or rear third dampers, inerters or any other device are permitted nor any modification to the manufacturer supplied components.

14.9.5. Titanium and carbon springs are not permitted.

14.9.6. The dampers must operate independently on each corner of the suspension; they must react directly to the input of that corner as connected to the suspension system.

14.9.7. The damper must be attached at one end to the chassis mounting point and the other end directly to the suspension rocker.

14.9.8. Connecting dampers side-to-side or front to rear is not permitted.

14.9.9. Dampers cannot be adjusted by the Driver.

14.9.10. The damper assembly must be contained within the approved designated volume. This CAD file is available from Dallara.

14.9.11. No independent inerters or mass dampers are permitted.

14.10. Driveshafts / Hubs

14.10.1. Only Dallara components may be used as supplied.

14.10.2. Dallara wheel lock components must be used as supplied.

14.10.3. Upright bearings and seals must be used as specified by Dallara.

14.10.4. Hybrid and/or ceramic bearings are not approved for use.

14.11. Suspension Wheel/Wing Energy Management System (SWEMS)

14.11.1. Front Suspension - The front suspension restraints must consist of a minimum of 3 SWEMS per suspension corner. All SWEMS must have a break load of 100 kN. The SWEMS must be mounted in Dallara's designated location. All mounting points must be free of sharp edges.

14.11.2. Rear Suspension – The rear suspension restraints must consist of a minimum of 3 SWEMS per suspension corner. All SWEMS must have a break load of 100kN. The SWEMS must be mounted in Dallara's designated location. All mounting points must be free from sharp edges.

14.11.3. Rear Wing – The rear wing restraints must consist of 1 SWEMS with a break load of 100 kN and mounted in Dallara's designated location.

14.11.4. The SWEMS must be replaced:

14.11.4.1. If a Car sustains an impact on any of the 4 corners.

14.11.4.2. As required by INDYCAR.

14.12. Brakes

All Events

- 14.12.1.** Only brake components as supplied by the approved brake Manufacturer and approved by INDYCAR are permitted.
- 14.12.2.** Cars must be equipped with a dual-braking system to operate the brakes effectively on all 4 wheels. The use of computer logic to control any function of the braking system is not permitted.
- 14.12.3.** Any devices designed to push or pull back caliper pistons or pads are not permitted (Pull back brakes in any form are not permitted).
- 14.12.4.** Only Dallara supplied front and rear brake ducts and brake duct backing plates may be used.
- 14.12.5.** The minimum disc thickness is 0.866 inches.
- 14.12.6.** The minimum pad thickness is 0.472 inches.

Road/Street Course Events

- 14.12.7.** Only tape, flat panels or panels that follow the front contour of the brake duct may be used to regulate the airflow in the brake duct.
- 14.12.8.** Internal ducting within the brake scoop to optimize hub, caliper, and rotor cooling is permitted.

14.13. Wheels

- 14.13.1.** The rim width for front wheels is limited to 10 inches. The rim width for rear wheels is limited to 14 inches.

14.13.2. The only wheel designs approved by INDYCAR are BBS, OZ, and Avus. Only INDYCAR-approved finishes may be used on wheels.

14.13.3. The use of wheel covers or inserts is prohibited.

14.13.4. Any machining or modification of an approved wheel requires the approval of INDYCAR.

14.13.5. The wheel offset may not be modified from design. Subject to Rule 14.13.4, the wheel must be shimmed to bring the wheel back to the designed specification (with the addition of a spacer).

14.13.6. The maximum service life of wheels is 6 years from the in service date.

14.14. Tires

14.14.1. Only tires provided by Firestone and approved by INDYCAR may be used. The tires must be used in the designated location. No Entrant may sell, trade, or otherwise reassign tires to any other Entrant.

14.14.2. Tire warmers are not permitted.

14.14.3. No substance may be applied to the tires.

14.14.4. The only tires which may remain in an Entrant's possession are tow tires, set up tires and two sets of rain tires. All other tires must be returned to Firestone immediately following the Event (including all Testing) in which they were used. Tires not returned shall be deducted from the Entrant's allotment at the following Event.

14.14.5. Only nitrogen or compressed air may be used to inflate tires.

14.14.6. Each Entrant will be permitted a maximum number of sets of tires for use in each Event as follows:

Open Tests: 3 sets per day

14.14.6.1. Indianapolis 500 Mile Race Event:

- a) 33 sets – Full Indy 500 Program
- b) 26 sets – Short Indy 500 Program
- c) 2 sets –refresher tests:
To be used during ROP only, additional sets from Event allocation.
- d) 4 sets – rookie orientation program:
To be used during ROP only, additional sets from Event allocation.

All Other Oval Races: 8 sets – Iowa, Texas, Fontana

14.14.6.2. Road/Street Course Race Events:

14.14.6.2.1. Wet Tires: A maximum of 5 sets of “wet” tires (including 1 set transported by the Entrant). Wet tires may not be used prior to the Race without approval of the Race Director.

14.14.6.2.2. 8 sets – All Road/Street Course Events as follows:

- 5 sets of primary tires
- 3 sets of alternate tires

14.14.6.3. Qualifications

14.14.6.3.1. Only one set of tires may be used during a qualifications Segment.

14.14.6.3.2. Entrants may change one tire with prior INDYCAR approval. This will be counted towards its weekend replacement allotment.

14.14.6.4. Race

14.14.6.4.1. Within 30 minutes of the completion of final practice, an Entrant must declare via instant message system to INDYCAR which compound it intends to use at the start of the Race. Failure to comply will result in the Entrant being allocated the compound by INDYCAR.

14.14.6.4.2. One set of new (sticker) alternate tires and one set of primary tires must be used during each Race prior to receiving the checkered flag. A Car must complete two green condition laps the second of which may be completed in pit lane even if the Car is pitted prior to the Start/Finish line. Any Entrant failing to comply with this Rule shall receive a minimum one lap penalty.

14.14.6.4.3. If conditions warrant changing to “wet” tires during an Event, this Rule 14.14.6.4.2 no longer applies.

14.14.6.5. All Race Events except Indianapolis 500 Mile Race: Practice Session 1 shall consist of two groups:

14.14.6.5.1. Group A

Only Rookie Drivers and Entrants outside the top 10 in Entrant point standings may participate in Group A.

Entrants shall have the option to purchase one additional set of tires for use during Practice Session 1. If purchased, the

additional set of tires must be returned at the conclusion of Practice Session 1.

Entrants within the top 10 in Entrant point standings are permitted to perform a “system check”. At the beginning of Practice Session 1, the Car leaves pit lane and returns to pit lane without having completed one timed lap on the Racing Surface.

14.14.6.5.2. Group B

Open to all Entrants entered in the Event.

One set of tires must be returned at the conclusion of Practice Session 1, regardless of whether the Entrant participates in Practice Session 1.

Entrant choosing to purchase the additional set of tires must return two sets of tires at the conclusion of Practice Session 1.

14.14.6.6. If Group A and B are combined, Entrants are still permitted to purchase the additional set of tires.

14.14.6.6.1. The additional replacement tire allotment is 12 tires.

- Primary: 2 tires per Event maximum
- Alternate: 1 tire per Event maximum (5 for Season)

14.14.6.6.2. Unused replacement tires returned to the mounting area will be credited to the Entrant’s allotment.

14.15. Engine

- 14.15.1.** Only lubricants approved by the Engine Manufacturer may be used. No additives may be used.
- 14.15.2.** The exhaust system must be used as homologated by the engine manufacturers.
- 14.15.3.** Exhausts and exit locations must remain as specified by Dallara. Exhaust / waste-gate pipes must protrude a minimum of 0.25 inch and a maximum of 1.00 inch through the bodywork.
- 14.15.4.** Clutch Assembly CP8153-DE03-SN carbon plate with steel housing is the only approved clutch.
- 14.15.5.** The bellhousing must be used as supplied by Dallara.

14.16. Transmission/Differential

All Events

- 14.16.1.** Only transmission components and gear ratios provided by Xtrac may be used without modification.
- 14.16.2.** Treatments and coatings are free; the Xtrac logo/etching must remain on all original components.
- 14.16.3.** Three different rotary lip seals are used in the 1011 gearbox. Original parts that are etched with the Xtrac part number and logo must be run. As below:
- a) 00P-100-0111A , 40x52x7 Lipseal, Used in Front Cover (Input Shaft) and Rear Cover (Starter Shaft).
 - b) 00P-100-0109A, 98x120x12 Lipseal, Used in Side Cover (LH Output Flange) and Maincase (RH Output Flange).

14.16.4. The approved paddle shift gear selection system must be used at all Events. The paddle shift system must be used as supplied and without modification.

14.16.5. The transmission must maintain all 6 fully meshed gears during an Event. Reverse gear must be operational throughout all events.

14.16.6. Entrants must provide seal locations comprised of two drilled holes with a minimum of 0.032 inches in each of the following locations:

- a) Transmission to bellhousing
- b) Transmission rear and side covers
- c) Bellhousing to the Engine
- d) Engine to the bulkhead

Road/Street Course Events

14.16.7. All parts of the differential assembly must be used as supplied by Xtrac.

14.16.8. The clutch stack may be re-arranged, provided all parts remain as supplied.

Oval events

14.16.9. Lightweight spool or differential blocker must be used.

14.17. Airjack

14.17.1. Entrants must leave the airjack receptacle in the INDYCAR approved location.

14.18. Electronics

14.18.1. All Cars must be equipped with an ignition switch that can be activated by the Driver. The ignition switch must be clearly marked.

14.18.2. The Dallara supplied fire bottle switch must remain in the designated location.

14.18.3. The master switch must be used as supplied by Dallara. The switch must energize the on-board fire extinguisher and shut off the ignition. The switch shall be clearly marked by a decal, which will be supplied by INDYCAR. Entrants must not disconnect the switch. When a master switch is pulled, it must remain in that state until manually reset.

14.18.4. Rain Light - Only the Dallara supplied rain light may be used. The assembly must be mounted to the attenuator in the designated location.

14.18.5. Electronic Logic Processors – With the exception of INDYCAR approved Engine, clutch, gearbox and weight jacker control, the use of electronic logic processors or devices to electronically control any Car function are not permitted.

14.18.6. Only the INDYCAR approved data acquisition system may be used.

14.18.7. Electronic data of any type may not be transmitted wirelessly to a Car.

14.18.8. The following Cosworth supplied sensors must be used:

Part Number	Description	Quantity
01B-601454	50mm Linear Lightweight Damper Pot	4
01B-601452	160psi Sealed Gearbox Pressure Sensor	1
01B-601454-A	2400psi Sealed Brake Pressure Sensor	2
21A-0180	30deg "D" Shaft Twin Track Rotary Throttle Position Pot	1
01B-601222	150 degrees Gearbox Temperature Sensor	1
SG-00648	SG06 Dallara IC2012 Front Strain Gauge Push Rod	2
SG-00649	SG06 Dallara IC2012 Rear Strain Gauge Push Rod	2
21A-0181	345deg Flat Shaft Twin Track Rotary Gear Position Pot	1
21A-0182	3 Turn Flat Single Track Rotary Steering Position Pot	1
01B-606021-C	150mm High Temperature Wheelspeed Sensor	4

14.18.9. The following additional chassis sensors are permitted:

- a) Tire pressure sensors
- b) Brake pedal position
- c) Brake m/c displacement
- d) A maximum of 2, 3-axis chassis accelerometers
- e) A maximum of 4 single axis hub accelerometers, 1 per corner
- f) Strain gauged suspension components
- g) Strain gauged steering shaft
- h) Beacon receiver
- i) Laser ride height
- j) Gyro or Angular rate sensors
- k) Roll bar positions
- l) Weight jacker position
- m) Clutch position
- n) Any chassis pressure (pitot, underwing, etc.) limited to diaphragm-type sensors
- o) Any chassis temperature
- p) Fluid level sensor

14.18.10. The weight jacker position can only be controlled by the Driver.

14.18.11. The TCR and antenna must be mounted in the INDYCAR-designated location.

14.18.11.1. The TCR dash light must be mounted in the INDYCAR approved location.

14.18.11.2. A minimum of two TCR steering wheel lights must activate simultaneously with the TCR dash lights.

14.18.12. Chassis and Engine looms must be run as supplied by Cosworth and the Engine Manufacturers and may not be modified.

14.19. Fuel

14.19.1. Fuel must be used as supplied by INDYCAR with no modification (removal or addition).

14.19.2. The addition of any performance-enhancing substance to the fuel, air, or fuel/air mixture is prohibited.

14.19.3. The fuel contained in the Car's fuel system must not be cooler than 5 degrees below ambient temperature.

14.19.4. The maximum quantity of fuel permitted for an Event shall be issued by bulletin prior to the Event.

14.19.5. Prior to gridding, each Entrant will be permitted to plug in its fuel hose to top off its Car's fuel tank.

14.19.6. Portable containers are not permitted on pit lane.

14.19.7. Fuel may not be stored in the Entrant's garage.

14.19.8. Local fire codes are a part of the Rules.

14.20. Refueling

14.20.1. The use of the refueling probe safety system is mandatory.

14.20.2. All refueling nozzles and refueling receptacles must be returned to the manufacturer for servicing prior to the St. Petersburg Race, Indianapolis 500 Mile Race and Mid-Ohio Race.

14.20.3. During Race conditions, all refueling must be performed by the INDYCAR-approved dry-break disconnect system. During refueling, only the fuel hose and vent hose can be attached to the fueling system. The fuel flow must be gravity-feed only, and the vent hose must not have any evacuation assist devices attached.

14.20.3.1. The refueling coupling must be used as supplied by Red Head Valves - Model VF 1100 M-3 fuel probe with Red Head Valves Model VF 1100 F-3 receiver.

14.20.3.2. All refueling hoses must be used as supplied by the Salem Republic Rubber Company (part #P7310-7F-A1298-030-1050GG). Refueling hoses must have a minimum length of 10 feet.

14.20.3.3. Fuel hose supports may not be longer than 48 inches and must be approved by INDYCAR prior to use.

14.20.3.4. All refueling hose-to-probe connectors must be used as supplied by Rapid Prototyping & Engineering, Inc. (part #INDYCAR 0512).

14.20.3.5. The refueling hose-to-tank connector remains open for development. The inside diameter of all refueling hoses, fittings and connectors shall not exceed 3 inches.

14.20.4. Only Dallara supplied fuel cell and vent systems may be used.

14.20.5. Entrants may be required to demonstrate the performance of all system components prior to use. All

refueling probes and fuel hoses must be inspected and sealed by INDYCAR before being placed on fuel storage tanks prior to each Event.

14.20.6. Practice Fueling

14.20.6.1. A single hose with a maximum outside diameter of 1.500 inches incorporating an approved self-closing valve at the tank end must be used.

14.20.6.2. Fuel may only be added through the dry-break vent system. The Engine must be shut off during any practice refueling. A crew member must man fire equipment during any refueling.

15

ENGINE SPORTING REGULATIONS

15.1. General

- 15.1.1.** Only the Engine provided by the Engine Manufacturer or its designee and approved by INDYCAR may be used.
- 15.1.2.** An Entrant may possess a maximum of one Engine at any time unless otherwise approved by INDYCAR. Engines for backup Cars are not allowed unless approved by INDYCAR.
- 15.1.3.** All Engine use planning will be carried out by the Engine Manufacturer. INDYCAR will allocate the Engines to the Entrants and will randomly assign Engines to Entrants from a pool, designated prior to the Event.
- 15.1.4.** Each Full-Season Entrant will be provided with no more than five fresh built Engines throughout each year covered by an engine service agreement. Using more than five fresh Engines in a season will result in a penalty. Engines beyond the fifth fresh Engine may be fresh or part-used.
- 15.1.5.** Only one Engine will be provided for the entire Short Indy-500 Program. At the completion of the Indianapolis 500 Mile Race all miles remaining on the Engine shall be forfeited.
- 15.1.6.** Engines will be sealed by INDYCAR prior to installation into the Car (Seals may be applied to plenum access cover to plenum, head to block, block to sump, front cover to block, or as otherwise determined by

INDYCAR). Seals may not be broken, tampered or removed without permission of INDYCAR. Engine Manufacturers will provide locations and necessary drillings for the application of INDYCAR seals.

15.1.7. If a Driver is replaced at any time, his or her replacement will be deemed to be the original Driver for the purposes of assessing Engine miles.

15.2. Full-Season Mileage Limit

15.2.1. Full-Season Entrants are allotted 10,000 miles of running under the standard full-season Engine program (“Full-Season Entrant Mileage Pool”).

15.2.2. “Full Season” shall consist of 17 Races including the Indianapolis 500 Mile Race and the Open Tests. Any Engine mileage remaining at the end of the season may be used for Testing before December 15.

15.2.3. All Engine mileage shall be subtracted from the 10,000 mile allotment, regardless of Use. Mileage will be determined from the official lap count from the timing sheets of each Event multiplied by the official Track length. For those Events not run on Track, such as straight-line Tests, mileage will be calculated from ECU data and provided to INDYCAR by the Engine Manufacturer.

15.2.4. Engine miles used for tire and chassis tests required by INDYCAR will not count against the Entrant’s season mileage limit.

15.2.5. Miles run by an Entrant in excess of the allotted Full-Season Entrant Mileage Pool shall be charged by the Engine Manufacturer to the Entrant. This will apply from the date of execution of the Engine service agreement in any year.

15.3. Engine Change-Out

15.3.1. No Engine may be changed-out for any reason without the prior approval of INDYCAR and the Engine Manufacturer. Engine change-outs by Entrant shall be either an Approved Engine Change-Out or an Unapproved Engine Change-Out as determined by INDYCAR. All Unapproved Engine Change-Outs shall be subject to penalty.

15.4. Engine Repair

15.4.1. All Engine repairs during an Event must have prior approval from INDYCAR. An Engine that requires a minor repair may, with INDYCAR's approval, be removed from the Car for repair without penalty. Fitting another Engine into the car will be classed as an Unapproved Engine Change-Out.

15.4.2. Minor repair shall be the replacement of seals, brackets, sensors, etc. that do not require the replacement of major components of the engine (such as, cylinder heads, crank, rod, pistons, sump, etc.).

15.4.3. If any of the INDYCAR-applied Engine seals needs to be broken or removed, the repair cannot be carried out unless INDYCAR is present.

15.4.4. Parts may only be replaced with parts to the same design as those removed or with INDYCAR-approved upgrades.

15.4.5. The Engine Manufacturer shall be permitted to rerun the Engine on its dyno for the purposes of assuring the minor repair is effective. The Engine must be returned to the Entrant within 28 (twenty eight) days of its removal. The Entrant which changed-out the Engine shall be obligated to refit the repaired Engine at the

earliest opportunity (i.e. when the Engine in the Car needs replacing) following the Entrant's receipt of the repaired Engine.

15.4.6. If the repair becomes non-minor, Rule 15.6.3 will apply.

15.5. Approved Engine Change-Outs

15.5.1. The minimum mileage threshold (Change-Out Mileage) is 1850 miles.

15.5.2. An Engine that has reached its Change-Out Mileage may be changed without penalty.

15.5.3. An Engine that would exceed 2200 miles prior to the end of the scheduled Race distance may be changed without incurring a penalty.

15.5.4. Full-Season Entrants and Entrants running the Full Indy 500 Program may change out their qualifying engine for a fresh Engine for the Indianapolis 500 Mile Race without penalty subject to availability and the following conditions:

- a) The fresh Engine fitted for the Indianapolis 500 Mile Race shall count as one of the five fresh built Engines allotted to the Full Season Entrant, pursuant to Rule 15.1.4.
- b) For Full-Season Entrants the changed-out Engine must be refitted to the Car for the balance of its Change-Out Mileage limit when the Indianapolis 500 Mile Race Engine needs replacing.
- c) Full Indy 500 Program Entrants and Short Indy 500 Program Entrants shall forfeit all unused miles on both the practice and qualifying Engine and the Race Engine at the conclusion of the Indianapolis 500 Mile Race Event.

15.5.5. An Engine that has experienced a problem deemed sufficient to require Change-Out as mutually agreed by INDYCAR and Engine Manufacturer that is beyond the reasonable control of either the Entrant or Engine Manufacturer (such as faulty fuel, accident, damage to the Engines caused by act of God, etc.) may be replaced with an Engine from the pool without penalty.

15.6. Unapproved Engine Change-Outs

15.6.1. Any Unapproved Engine Change Out, except those caused by Engine failure in a Race, will result in a 10-place grid penalty. If an Entrant makes two Unapproved Engine Change-Outs during an Event the penalty for the second Unapproved Engine Change-Out will be served at the following Race.

15.6.2. Using more than five fresh Engines in a season will be considered Unapproved Engine Change-Outs.

15.6.3. Changing an Engine before the Change-Out Mileage after suffering a failure at any time, due to the Engine Manufacturer will be subject to the following:

- a) Engine Manufacturer shall be responsible for repair costs of the Engine including parts, labor, shipping, etc.
- b) Engine Manufacturer will supply the Entrant with a fresh or a used Engine from the pool to cover the outstanding miles on the failed Engine. For Engine mileage accounting purposes, the replacement Engine will count as a substitute for the Engine that was removed.

15.6.4. Changing an Engine before the Change-Out Mileage because it has been operated outside of the Engine Manufacturer's guidelines (such as: Engine

spinning backwards, overheating, loss of fluids, etc.) will be subject to the following:

- a) Entrant shall be responsible for all repair costs of the Engine including parts, labor, shipping, etc.
- b) Only upon payment in full to the Engine Manufacturer for the repair shall the Entrant be credited the unused mileage of the Engine and be supplied a fresh or a used replacement Engine from the pool.

15.6.5. Changing an Engine before the Change-Out Mileage because it has been damaged by the deliberate actions of the Entrant (“Team Abuse”) including but not limited to use of non-approved fuels or oils, tampering with the boost control or rev limit functions, continuing to operate the Engine after being informed that a problem has occurred, etc. will be subject to the following:

- a) Entrant shall be responsible for all repair costs of the Engine including parts, labor, shipping, etc.
- b) All mileage remaining on the Engine prior to the Team Abuse incident shall be forfeited.
- c) Entrant may be subject to other penalties up to and including termination of the engine service agreement.

15.6.6. Removing the Engine to test a Down on Power (“DOP”) claim shall be classed as an Unapproved Engine Change-Out. The procedure for, and penalties potentially arising from, a Down on Power claim are set out in Section 15.7.

15.7. Down On Power Engines

15.7.1. An Entrant claiming an Engine is DOP is required to provide supporting data to the Engine Manufacturer before the claim will be considered. The Engine

Manufacturer, in its sole discretion, shall determine if the DOP claim is valid.

15.7.2. If the Engine Manufacturer accepts the Entrant claim that the Engine is DOP, the Engine Manufacturer shall inform INDYCAR of the issue. INDYCAR shall inspect the supporting data and in its discretion determine if the claim is valid. If it is determined by all parties that the engine is DOP, INDYCAR shall:

- a) Permit the Engine change out; and
- b) The Engine Manufacturer will supply the Entrant with a fresh or a used Engine from the pool for the outstanding miles of the DOP Engine. For Engine mileage accounting purposes, the reworked or rebuilt Engine will count as a substitute for the Engine that was removed.

15.7.3. If an Engine Manufacturer does not accept that a DOP claim is valid, the Entrant making the claim may, in its discretion, pay the DOP bond specified in Rule 15.7.4 to INDYCAR to have the Engine removed from the Car and be retested by the Engine Manufacturer.

15.7.3.1. INDYCAR will retain the DOP bond until an Engine power test is completed at the Engine Manufacturer's facility. The retest of the Engine must be completed within 15 working days of the DOP claim. INDYCAR reserves the right to witness the test.

15.7.3.2. In a case where the DOP claim is proven to be false, i.e. the Engine retests within 2% of its shipping test performance between 9,000 and 12,000 rpm:

- a) The Entrant shall forfeit the DOP bond to the Engine Manufacturer; and

- b) The Entrant will pay for INDYCAR's costs for witnessing the power test; and
- c) The Entrant shall forfeit the unused portion of the Engine mileage.

15.7.3.3. If the DOP claim is proven to be true, i.e. the Engine retests more than 2% under its shipping test performance between 9,000 and 12,000 rpm:

- a) The DOP bond shall be returned to the Entrant; and
- b) The DOP bond will not increase the next time that Entrant makes a claim; and
- c) The Engine Manufacturer will pay for INDYCAR's costs for witnessing the power test; and
- d) The Engine Manufacturer will supply the Entrant with an Engine from the pool for the outstanding miles of the DOP Engine. For Engine mileage accounting purposes, the replacement Engine will count as a substitute for the Engine that was removed.

15.7.4. For an Entrant's first DOP claim, the DOP bond is \$25,000. For Entrant's second and subsequent claims the DOP bond is \$50,000. For Full Indy Program Entrants the DOP bond is \$50,000.

15.8. Single Race Event Only Program

15.8.1. Engine Manufacturers will support single race event Entrants approved by INDYCAR. Only the Engine provided by the Engine Manufacturer and assigned by INDYCAR may be used by the Entrant.

15.8.2. The Entrant shall forfeit all unused miles on the Engine at the conclusion of the Event.

16

PIT EQUIPMENT & GARAGES

16.1. Fuel Storage Tanks

16.1.1. Refueling supply must be gravity flow only. The use of pressurization or vacuum during refueling is not permitted. All tanks are limited to a single outlet with a maximum inside diameter of 3.00 inches. The outlet can have a maximum 1.50 inch radius from the tank's external face to the outlet. The maximum length of the outlet including any attachments is limited to 14.00 inches from the front face of the tank.

16.1.2. All tanks must be vented to atmosphere at all times using a Protectoseal 3.00 inch flame arrester/vent or equivalent.

16.1.3. All tanks must use a spring-loaded valve between the tank flange and vent pipe (for all Events except the Indianapolis 500 Mile Race Event). The following valves are permitted:

- a) Betts Model WD-305
- b) J.C. Carter Model JC-64075

16.1.4. Between the tank outlet and refueling hose, the following valves are permitted:

- a) Dan Jones Model 06-DJ or J.C. Carter valves: these valves are permitted one splitter with a maximum thickness of 0.300 inches and a maximum length of 3.500 inches. The splitter may be horizontal or vertical and must be mounted in the tank flange and may not protrude into the tank.

b) Betts valve: this valve is not permitted a splitter. Entrants may not alter the vent or spring-loaded closing valve.

16.1.5. All refueling tanks must have a manual air-operated emergency shut-off valve to the probe.

16.1.6. The height of the fuel storage tanks must be set and sealed by INDYCAR prior to filling.

16.1.7. No part of the pit lane fuel storage tank may be closer than 30.00 inches to the front face of the pit wall. The pit lane fuel storage tank outlet must be positioned between the center and 18.00 inches rearward of the center in the assigned pit.

16.1.8. All fuel level sight tubes must have a positive shut-off valve at both ends.

16.1.9. All equipment must comply with the safety regulations of INDYCAR and where applicable the NFPA, state and/or local codes.

16.1.10. Fuel storage tanks and probe must be grounded by an INDYCAR approved method.

16.1.11. Tank Capacities and Dimensions:

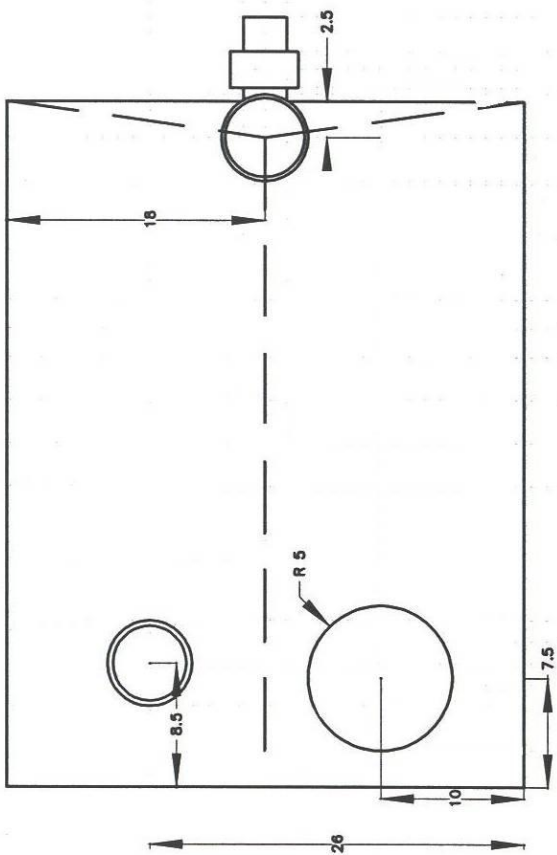
Indianapolis 500 Mile Race Event

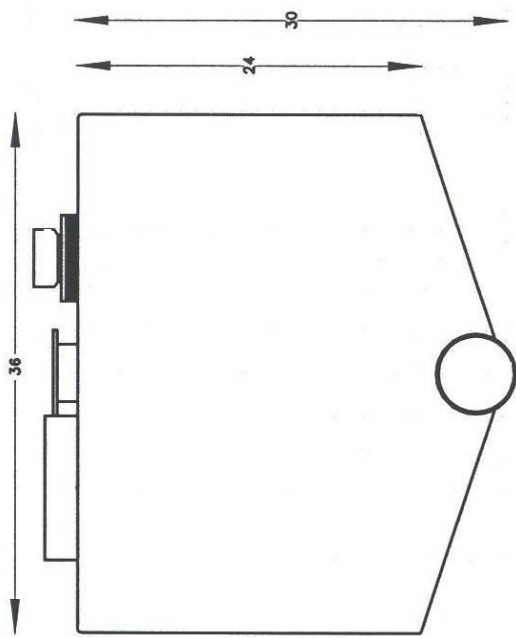
Only the fuel tank as supplied by INDYCAR may be used. All fuel tanks must remain on the grounds of the facility. Entrants may affix decals to the fuel tanks, but may not paint them. The maximum height of the rear edge of the pit storage tank shall be 80.00 inches measured from the highest point. The maximum height of the front edge of the tank must be 76.00 inches. The slope of the tank must not exceed 4.00 inches. The vent pipe shall be a minimum of 102.00 inches in height. All pit

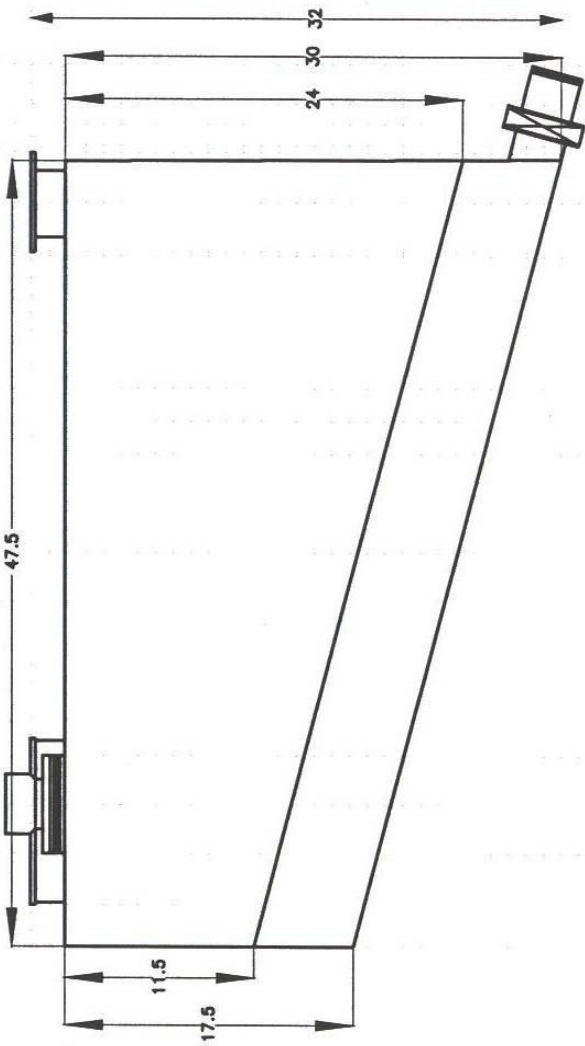
storage tank height measurements will be made from the pit lane surface.

Other Events

Pit fuel storage tanks must be built to INDYCAR specifications (**See Illustration**). Pit fuel storage tanks must be a single container made of T304 stainless steel or the equivalent and have a capacity of 152.0 U.S. Gallons. All dimensions are overall measurements with the top surface level. The maximum height of the pit storage tank shall be 84.00 inches to the top surface which must be level. The vent pipe shall be a minimum of 102.00 inches in height. All pit storage tank height measurements will be made from the pit lane surface. No modifications may be made to the fuel storage tank specifications. Drawings for fuel tank are available from the INDYCAR office. All dimensions are in inches.







16.1.12. All support legs and height-adjusting devices used with the fuel storage tank must be approved by INDYCAR prior to use. Tank support legs must include feet with adequate area so that the tank, with fuel, will not sink into the pit surface. Metal or wood may be used under the support legs to distribute the load, provided it is not stacked in a hazardous manner. All tanks must include a mechanism approved by INDYCAR by which the tank may be moved away from the pit wall quickly and easily. Any wheels or castors attached to the tank support stand must be raised from contact with the pit surface.

16.1.13. Cooling of the fuel in the pit storage tank is not permitted.

16.1.14. Devices which alter the gravitational flow of fuel are not permitted.

16.2. Pit Lane Fire Equipment

16.2.1. The Entrant must have a fully charged 10 pound fire extinguisher in the Car's pit area. A gauge must be attached to each fire extinguisher. The mixture must contain 10% Coldfire and be equipped with Atomizing Nozzle (Part # CFSE6HATOM, Cold Fire Southeast)

16.2.2. Each Entrant must have a minimum of 2 open containers of water in the Entrant's pit area each with a capacity of 5 gallons.

16.2.3. Each entrant must have a 2lb Dry Chemical extinguisher.

16.3. Equipment

16.3.1. The maximum height of the scoring stand is 84.00 inches measured from the ground to the top of the stand excluding awning. The maximum surface area of an awning is 85 square feet in plan view. INDYCAR may determine if an Entrant may use an awning at a particular

facility. Scoring stands using wheels or castors must be chocked or secured from moving, and awnings, flags, umbrellas or shields may be used, provided they do not block spectator viewing.

16.3.2. Paint or other permanent markings may not be used in the garage, on the pit lane surface or on the pit wall.

16.3.3. Camera booms cannot extend more than 80 inches into pit lane and must be approved by INDYCAR.

16.3.4. An Entrant may display one flag in its pit box, provided the flag is located behind pit wall, is a maximum size of 5 ½ feet wide and 3 ½ feet high, and a maximum height of 14 feet off of the pit floor.

16.3.5. The maximum height of the transporter is 18 feet, including all railings, flags and viewing platforms.

16.4. Garages

16.4.1. If garages are available, Entries will receive 1 garage per Entry. INDYCAR shall allocate a designated amount of space in the garage area for each Manufacturer.

16.4.2. If garages are not available, each Entrant shall receive a maximum 30 ft. wide parking location in the garage area to use as a garage for the transporter and tent/awning, unless otherwise noted.

16.4.3. Tents will not be permitted to extend beyond the rear of the trailers.